

JUST.GRILL.ANYWHERE.

INSTRUCTION MANUAL

EN

BRUGSANVISNING

DK

GEBRAUCHSANWEISUNG

DE

MANUAL DE INSTRUCCIONES

ES

MANUEL D'INSTRUCTIONS

FR

MANUALE D'ISTRUZIONI

IT

GEBRUIKSAANWIJZING

NL

BRUKSANVISNING

NO

INSTRUKCJA OBSŁUGI

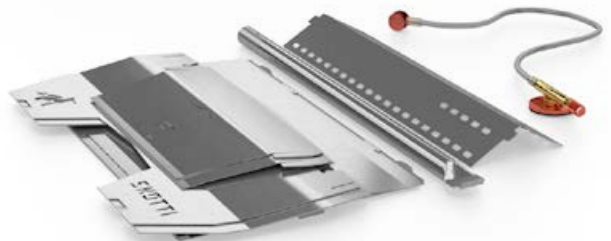
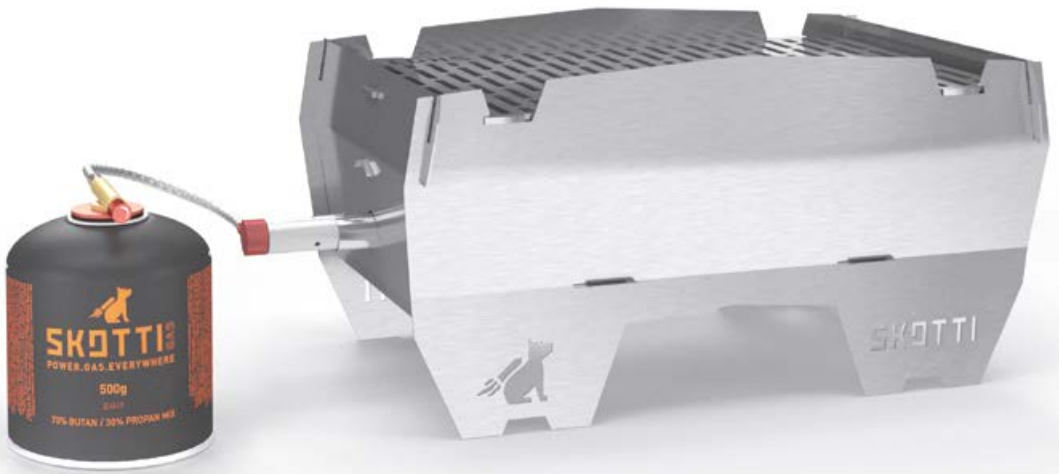
PL

BRUKSANVISNING

SE



SKOTTI



Content

1	Introduction	2
1.1	This is where we explain your Skotti to you	2
1.2	Here is where you need to be careful	3
2	Your Skotti’s details	3
3	For your safety - This is what you need to know	4
3.1	This is what you can use Skotti for	4
3.2	This is what you should not do with Skotti	4
3.3	Risks from hot surfaces	5
3.4	Risks for children.....	5
3.5	Risks from gas	5
3.6	Risk of fire	6
4	All this belongs to your Skotti	7
5	This is how you set up your Skotti	8
5.1	Where to set up your Skotti	8
5.2	Setting up Skotti	8
5.3	Inserting the grill rack	10
5.4	Grilling with charcoal or wood.....	10
5.5	Connecting the gas	11
5.6	Changing the gas cartridge	12
6	This is how you use your Skotti	13
6.1	Check before ignition	13
6.2	Ignition.....	14
6.3	Grill tips.....	15
7	When things go wrong.....	15
8	This is how you pack up your Skotti	16
9	This is how you maintain your Skotti.....	17
10	Our guarantee for your Skotti	18
11	Disposal and recycling.....	18

1 Introduction

These user instructions will make sure that you use Skotti safely and efficiently. It also contains important information on the maintenance of your Skotti.

Important information

Please read the user instructions carefully and completely to familiarize yourself with Skotti before connecting it to the gas cartridge or bottle. Keep the user instructions, so you can read them again or pass them on to other users.

Manufacturer

Vennskap GmbH & Co. KG

In der Loh 36 c
40668 Meerbusch

+49 (0) 2150-7076910

www.skotti-grill.eu



1.1 This is where we explain your Skotti to you

When you need to do something

To perform an action, do the following:

1. Do this.
2. Do that.
- ➔ This is the immediate result.
3. Do that.
- ✓ You have performed the action.

Information is listed as follows:

- List information

1.2 Here is where you need to be careful



DANGER

Indicates a dangerous situation resulting in serious injury or death

- ▶ Measures to avoid the danger



Tip

- ▶ Tips for use and helpful information

2 Your Skotti's details

Device		Mobile gas grill, type Skotti
Dimensions	Grill rack (length x width)	30,4 x 21 cm
	Set-up (length x width x height)	33,6 x 21,9 x 17,6 cm
	Packed up in bag (length x width x height)	45 x 30 x 3,5 cm
Power		2,3 ... 2,5 kW 172 ... 187 g/h
Weight without gas cartridge		3 kg
Approved gas cartridge		EN 417 screwable cartridge with 7/16 x 28 UNEF thread (butane/propane gas mixture)
Material		1 mm stainless steel grill corpus, 3 mm stainless steel grill rack, canvas bag

Diameter of the nozzle: 0,3 mm

3 For your safety - this is what you need to know

3.1 This is what you can use Skotti for

- Skotti is for private use only.
- Only use Skotti outdoors.
- Use Skotti in gas operation with a standard EN 417 propane / butane gas mixture only. The resealable gas cartridge must have an appropriate thread for your gas regulator (7/16 x 28 UNEF thread).
- Only use approved screwable cartridges up to a maximum of 500 g.
- Connecting other gas cartridges or gas mixtures can be very dangerous.
- You can use Skotti with charcoal or wood.

3.2 This is what you should not do with Skotti

- Skotti is **not** for commercial use.
- Do **not** operate Skotti with natural gas.
- When using Skotti, do **not** loosen or disassemble the gas regulator or other parts.
- **Never** insert or combine Skotti into another structure. Unrestricted air flow must always be verified. Otherwise, fire or explosion may be caused, resulting in serious or even deadly injuries and high property damage.
- **Never** repair or make alterations to Skotti. This can cause serious risks and will void your warranty. Always have Skotti repaired by professionals. Please check for our address in Chapter "1 Introduction".

3.3 Risks from hot surfaces

- Do not touch Skotti when it is in use or directly after grilling. Skotti and its individual parts can heat up to very high temperatures.
- Skotti requires supervision even after grilling until it has completely cooled down. In summer, this may take approximately 20 minutes. Otherwise, accidents, burns or fire can be caused.

3.4 Risks for children

- Skotti must **not** be operated by children.
- Keep away from children, even when it is cooling down after grilling.

3.5 Risks from gas

- Take note of the instructions on the gas cartridge.
- **Never** store gas cartridges near Skotti.
- Always transport and store gas cartridges carefully. Even an apparently empty gas cartridge can still contain gas.
- **Never** use Skotti if the gas supply or gaskets are defective or faulty.
- Search for gas leaks with a soapy water solution only, e.g. in a spray bottle. Spray the solution onto the corresponding parts and open the gas regulator. Small bubbles will appear at leaking spots.
- Never look for gas leaks using a flame. This may cause shooting flames or explosions.
- **Never** damage the gas cartridge. This may cause an explosion.
- Have dented or rusty gas cartridges checked by your gas supplier before use.
- At lower temperatures, liquid gas cannot convert into gas easily, i.e. it does not burn as well. In winter, we therefore recommend using special winter gas or power gas.



Possible risk of explosion, fire and deadly injuries due to gas

- ▶ If you smell gas, immediately turn the regulator screw to the right (↻). Disconnect the hose from the gas cartridge. Extinguish open flames, cigarettes, etc. immediately.
- ▶ If you still smell gas, keep away from Skotti and the gas cartridge. Inform the gas supplier and/or the fire service.

3.6 Risk of fire

- **Never** operate Skotti unattended.
- **Never** use Skotti on flammable surfaces such as cloth.
- When grilling, keep a safe distance from potential danger areas and highly flammable substances, generally at least 10 meters.
- Never place flammable items onto Skotti when it is grilling or still hot.



Possible danger to life due to grease fires

- ▶ If a grease fire occurs, remain calm. If possible, turn off the gas supply (↻).
- ▶ Use a special fire extinguisher, sand, baking soda or baking powder to extinguish a potential fire.
- ▶ **Never** try to extinguish grease fires with water or flour. The probability of uncontrolled shooting flames or explosions is extremely high.
- ▶ Get yourself and others to safety.
- ▶ Call the fire service on the EU-wide number 112 from landlines and mobiles.
- ▶ Until the firefighters arrive, secure the danger area without putting yourself or others in danger.

4 All this belongs to your Skotti



Pic 1 All of this belongs to your Skotti

Pos.	Device
1	1 x grill rack
2	1 x baffle plate
3	1 x burner pipe
4	1 x gas hose with screw-on regulator
5	1 x foot panel with honeycomb-shaped ignition and flame control
6	2 x long side panels with logo and feet
7	1 x head panel with round hole
8	1 x bottom panel

5 This is how you set up your Skotti

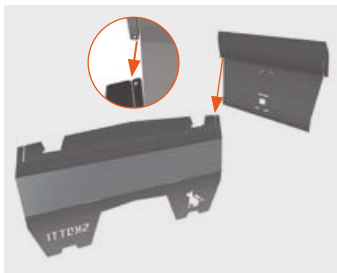
5.1 Where to set up Skotti

Note the following when choosing a grilling spot:

- Skotti and its individual parts can heat up to very high temperatures, so you should not move the grill during use. Before lighting the grill, you should consider carefully if the grilling spot meets the safety requirements.
- Put Skotti on a flat and stable surface and make sure that there is enough space (at least 5 cm) between Skotti and the surface it is on. Otherwise, unlit gas can escape through the bottom of the grill. This can cause an explosion.
- If Skotti is sinking or leaning on sand, snow, ice, or uneven surfaces, put a piece of wood or rock under the edges in the stands to balance it.
- Follow the assembly instructions. If Skotti is improperly set up, you place yourself and others at an unpredictable risk.

5.2 Setting up Skotti

To set up Skotti, proceed as follows:



1. Take one long side panel (6) with the Skotti logo on it and slide the short foot panel (5) with the honeycomb-shaped hole onto it at the corresponding slits. Both panels have a small triangle mark at the slits.
2. Slot the other long side panel (6) onto the foot panel (5) at the slim slits on the side with the Skotti logo.

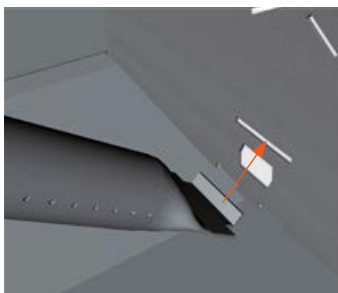


3. Slide the bottom panel (8) into the three-sided structure, pointed side down. Make sure that the hooks and tabs are at an equal height with the slits and the smooth edge of the panel is facing you.
4. Slide the hooks into the slits on the side panels (6).
5. Slide the tabs into the slits on the food panel (5).



6. Hold the bottom panel (8) close to the foot panel (5) to support the hooks on the side and slide both tabs at the front of the bottom panel into the corresponding slits of the foot panel.

7. Take the burner pipe (3) at the squeezed end and hook it into the horizontal 3 cm-long slot above the honeycomb-shaped hole at a steep angle and with the tab facing upward.



8. Carefully rest the burner pipe (3) on the bottom plate (8).

9. Place the baffle plate (2) onto the burner pipe (3). It should look like a rooftop over the pipe.

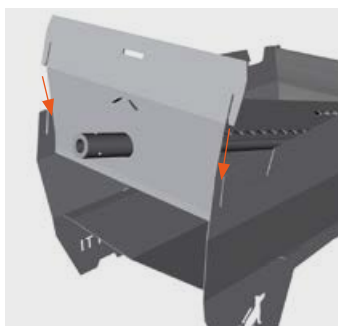
10. Slide the tabs of the perforated side into the two slanted slits of the foot panel (5).



11. Let the baffle plate (2) rest a little on the bottom panel (8).

12. Take the head panel (7) and slide the round end of the burner pipe (3) through the round hole of the head panel (7). The curvature of the head panel should be on the inside of the grill.

13. Lift the head panel (7) and slot the two tabs on the baffle plate (2) onto the corresponding slanted slits of the head panel.



14. Drop the head panel (7) into place, with the slits fitting smoothly onto the side panels (6).

✓ The end result is a stable and symmetrical grill that looks like a basket.



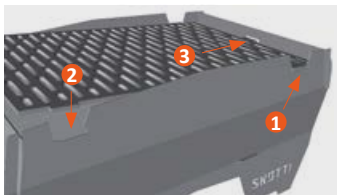
Tip

- ▶ Check for video instructions at www.skotti-grill.eu



5.3 Inserting the grill rack

To insert the grill rack, proceed as follows:



1. Place Skotti in front of you, with the round end of the burner pipe (3) pointing to the right.
 2. Take the grill rack (1) with the Skotti logo on the bottom right.
 3. Insert the grill rack (1) into the corresponding slots on the right side.
 4. Let the rack (1) slide into the slots on the left side.
 5. Carefully pull the grill rack (1) back at the tabs, towards the right.
- ✓ Once you hear it snap, the grill is locked and stable.

5.4 Grilling with charcoal or wood



Possible risk of fire due to incorrect use.

- ▶ **Never** use the burner pipe to ignite charcoal or wood.
- ▶ **Never** put Skotti on the carrier bag when using charcoal or wood because those fires burn at higher temperatures.

To operate Skotti with charcoal or wood, proceed as follows:

1. Before grilling with charcoal or wood, take off the burner pipe (3) and the baffle plate (2).
 2. Put the grill rack (1) on Skotti only with a low flame.
- ✓ You can now operate Skotti with charcoal or wood.



Tip

- ▶ To protect the environment, we recommend that you operate Skotti exclusively with gas.

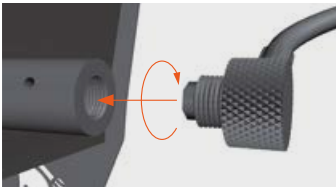
5.5 Connecting the gas



Possible danger to life due to incorrect use of gas cartridges

- ▶ Use Skotti in gas operation with a standard EN417 propane/butane gas mixture only, using approved cartridges up to a maximum of 500g.
- ▶ The resealable gas cartridge must have an appropriate thread for your gas regulator (7/16 x 28 UNEF thread).
- ▶ Before connecting the gas cartridge, make sure the gaskets between the device and the gas cartridge are in working order and condition. **Never** use Skotti with defective or worn out gaskets.
- ▶ Connect the gas cartridge outdoors only. Keep a safe distance from ignition sources and other people.
- ▶ Avoid twisting the gas hose.

To connect the gas, proceed as follows:



1. Carefully screw the gas nozzle onto the round end of Skotti's burner pipe. The end should be fixed firmly without applying too much pressure.

2. Before connecting the gas cartridge, close the gas tap with a firm twist to the right. (🔒)



3. Screw the gas cartridge onto the gas regulator, **not** the other way around!

✓ The gas is now connected.

5.6 Changing the gas cartridge



Possible danger to life due to incorrect use of gas cartridges

- ▶ Before disconnecting the gas cartridge, make sure that the burner is off.
- ▶ Before changing the gas cartridge, make sure that it is empty. One way is to shake it so you can hear the liquid slosh.
- ▶ Change the gas cartridge outdoors only. Keep a safe distance from ignition sources and other people.
- ▶ Avoid twisting the gas hose.

To change the gas cartridge, proceed as follows:



1. Before disconnecting the gas cartridge, close the gas tap with a firm twist to the right (↻).
2. Screw the gas cartridge off the gas regulator, **not** the other way around!

➔ The gas cartridge has been disconnected.



3. Before connecting another gas cartridge, make sure the gaskets between the device and the gas cartridge are in working order and condition. **Never** use Skotti with defective or worn out gaskets.
 4. Screw the new gas cartridge onto the gas regulator, **not** the other way around!
- ✓ The gas cartridge has been changed.

6 This is how you use your Skotti

6.1 Check before ignition

To perform security checks before ignition, proceed as follows:

1. Verify that the burner pipe is **not** clogged. Unclog it before using Skotti.
2. Make sure that the gasket and the gas hose work properly.
3. Do **not** light Skotti during leak tests.
4. Use a soapy water solution in a spray bottle to test.
5. Spray the solution onto the hose and the connectors between Skotti and the gas cartridge.
6. Open the gas regulator.
 - ➔ If there are any leaks, small bubbles will appear at leaking spots.
7. If there is a leak, turn the regulator screw to the right and take the gas cartridge off (🔴). Do **not** operate Skotti.
8. Before using the grill, make sure all parts are put together properly.
9. Before ignition, clean grease or other residue off the grill. Grease fires are hazardous and should be avoided.
- ✓ If everything is working properly, you can now light Skotti.

6.2 Ignition



Possible danger to life due to incorrect use and carelessness

- ▶ Skotti should **not** be exposed to strong winds during operation. The ignition and flame control should always be turned away from the wind.
- ▶ Take care of yourself and your clothes when lighting Skotti. During preheating or if Skotti and/or the gas cartridge are shaken vigorously, liquid gas can escape and cause shooting flames. Long and loose hair or wide clothing can quickly catch fire.

To light Skotti, proceed as follows:

1. Slightly unscrew the gas regulator on the gas cartridge to the left until you hear the gas flowing.
2. After 1-2 seconds, use a lighter or match to ignite the gas in the burner pipe through the honeycomb-shaped ignition and flame control hole located on the foot panel.



Possible risk of explosion, fire and deadly injuries due to gas

- ▶ If, due to wind or other factors such as a faulty lighter, match, etc., you are not able to ignite the gas in the burner pipe within 4 seconds, stop the process.
 - ▶ Tighten the regulator screw by turning it clockwise (↻).
 - ▶ Wait at least 1 minute, so the gas can flow out of the grill. Otherwise, there is an acute risk of explosion.
3. Repeatedly check if the gas in the burner pipe is ignited by watching the ignition and flame control.
 4. If the flames go out, immediately close the gas regulator to the right (↻).



Possible risk of burns due to hot surfaces

- ▶ Skotti will probably still be hot. Make sure not to touch any of Skotti's parts when you light the grill.
5. Wait at least 1 minute before igniting it again.
- ✓ Have fun grilling.

6.3 Grill-Tips

When you operate Skotti with gas, you can put it on the carrier bag. It can catch run-down grease, which can then be wiped off conveniently.

Always preheat Skotti before grilling. Skotti can do that really fast. In only 2 minutes, you can start grilling.

Skotti does not have a gas pressure reduction regulator. We deliberately decided not to put one.

The area around the ignition and flame control is often less hot, so you can keep grilled food warm or put food there that needs less heat. Depending on the wind and weather conditions, this area may be warmer or cooler. Just give it a try.

Use winter or power gas at temperatures below 10 °C. It flows easier even at lower temperatures due to the properties of the cartridge and the gas mixture.

7 When things go wrong

Gas in the burner pipe will not ignite.

- Avoid direct wind.
- Try a working lighter or match.
- After disconnecting the gas regulator, check if there is gas in the gas cartridge.

The temperature distribution is uneven.

- Place Skotti away from the wind.

Skotti does not produce the normal amount of heat.

- At temperatures below 10 °C, use winter or power gas (available from different manufacturers).

Yellow flames are shooting out from under the baffle plate.

- Reduce the gas by turning the regulator down, to the right.

There are shooting flames.

- **Never** put aluminum foil onto Skotti.
- The grill chamber might be dirty. Please clean it.

8 This is how you pack up your Skotti

When Skotti has cooled down after grilling, you can easily stow away all the parts in the washable bag, saving space.

To take Skotti apart, proceed as follows:

1. Make sure that the gas is off, with the screw turned to the right, and the parts have cooled down.
 2. Disconnect the gas cartridge from the gas regulator.
 3. Turn the gas nozzle counterclockwise to separate it from the round end of Skotti's burner pipe (3).
 4. Position yourself in front of Skotti so that the round end of the burner pipe (3) points to the right.
 5. Use both of your index fingers to lift both tabs (those in the left slits) from the grill rack (1).
 6. Carefully move the grill rack (1) to the left and lift it up a little at the same time.
➔ The grill is now unlocked.
 7. Lift the head panel (7) with the round end of the burner pipe (3) facing upwards and disconnect it from the baffle plate (2) and the burner pipe.
 8. Pull the baffle plate (2) from the slots of the foot panel (5).
 9. Lift the burner pipe (3) from the round end and carefully unhook the squeezed end at a steep angle from the slot in the foot panel (5).
 10. Pull the bottom panel (8) away from the foot (5) and side panels (6) and place the dirty side on the grill rack (1).
 11. Pull the bottom panel (8) away from the long side panels (6) and the foot panel (5).
 12. Pull the long side panels (6) from the foot panel (5).
- ✓ Skotti is now taken apart.



Tipp

- ▶ We recommend putting the parts back into Skotti's bag in the following order:
rack / bottom panel (as a rooftop on top) / 2 side panels / head and foot panel / baffle plate.

9 This is how you maintain your Skotti

Cleaning Skotti

You can put all Skotti parts, except the burner pipe and the gas hose with the nozzle and regulator, in the dishwasher. The Skotti bag can go in there too. This makes cleaning fast and easy.

- Before cleaning, check if the cleaning detergents are appropriate for use on stainless steel surfaces. If not, they may cause scratches.
- Dishwasher cleaning does not work well for caked-on grease or food. Soak these parts in the sink before washing.
- To get Skotti clean again, we recommend using steel wool soap pads for stainless steel surfaces or other grill and oven cleaners. They will give you the easiest clean at the lowest price and Skotti will shine again.
- When cleaning the valve and the burner pipe, do **not** widen the nozzles or the round end of the burner pipe.
- Only clean the burner pipe if the gas hose is off. If not, the gas nozzle can get clogged.
- If the nozzle holes of the burner pipe clog a little over time, use a copper brush to clean them gently and shake out the tube with the open end facing the ground.

Maintaining Skotti

Every 3 months you need to take care of your Skotti to keep it in optimal condition.

- Check the inside of the burner pipe and clean it if it is dirty or clogged.
- Check the gas hose and replace it if it is damaged or leaking.
- Check the gaskets and replace them if they are damaged or worn out.

10 Our guarantee for your Skotti

Vennskap fully guarantees Skotti for two years from the day of purchase. This includes the following devices:

- gas hose, gas nozzle and regulator
- burner pipe
- Skotti's bag

We are so sure of the quality of our product that we've even extended the warranty:

- 5 years for Skotti's grill chamber and grill rack

Our warranty only applies if Skotti is set up, used and maintained according to these instructions, and if, after our assessment, we find out that the device or its individual parts are really faulty. We will then repair or replace the device or individual faulty parts for free. Please get in touch with us immediately in case of complaints.

To file a complaint, you will need to provide proof of purchase (so please keep the receipt!) and a written description of the problem your Skotti is having. If we ask you to return the faulty parts, you will cover the shipping costs. We will send the repaired or replaced parts back to you and we will cover the shipping costs.

For more information, please visit our website at www.skotti-grill.eu



11 Disposal and recycling

Dispose of used gas cartridges, liquids generated during cleaning, and Skotti itself with respect for our environment in accordance with the local disposal regulations and environmental laws. Your gas retailer and the local municipal authorities can give you advice on this.

Indhold

1	Indledning	2
1.1	Sådan forklarer vi dig din Skotti	2
1.2	Her skal du passe på	3
2	Data om din Skotti	3
3	Angående din sikkerhed – dette skal du vide	4
3.1	Dette kan du bruge Skotti til	4
3.2	Dette må du ikke bruge Skotti til	4
3.3	Risici fra varme overflader	5
3.4	Risici for børn	5
3.5	Risici ved gas	5
3.6	Risiko for brand	6
4	Alt dette hører til din Skotti	7
5	Sådan samler du din Skotti	8
5.1	Hvor skal du stille din Skotti?	8
5.2	Montering af Skotti	8
5.3	Placering af grillrist	10
5.4	Grill med grillkul eller træ	10
5.5	Tilslutning af gas	11
5.6	Skift gaspatron	12
6	Sådan bruger du din Skotti	13
6.1	Før antændelse skal du undersøge den	13
6.2	Tænding	14
6.3	Grill-tips	15
7	Hvis det ikke helt går, som det skal	15
8	Sådan opbevarer du din Skotti	16
9	Sådan plejer du din Skotti	17
10	Vores garanti på din Skotti	18
11	Bortskaffelse og genanvendelse	18

1 Indledning

Denne brugsanvisning muliggør en sikker og effektiv håndtering af Skotti. Desuden indeholder den vigtige anvisninger om pleje af din Skotti.

Vigtigt

Læs denne brugsanvisning grundigt igennem, for at lære din Skotti at kende før du tilslutter den til gaspatronen eller gasflasken. Gem brugsanvisningen, så du kan læse den igen eller give den videre til andre brugere.

Producent

Vennskap GmbH & Co.KG
In der Loh 36 c
40668 Meerbusch
+49 (0) 2150-7076910
www.skotti-grill.eu



1.1 Sådan forklarer vi dig din Skotti

Når du skal gøre noget

For at gennemføre en handling, skal du bruge følgende fremgangsmåde:

1. Gør ditten.
2. Gør datten.
➔ Dette mellemresultat skyldes dette.
3. Gør ditten.
✓ Du har gennemført handlingen.

Klassificeringen beskrives på følgende måde

- Klassificering 1. rangorden

1.2 Her skal du passe på



FARE

Henviser til en farlig situation, som kan føre til alvorlige personskader eller død.

- ▶ Foranstaltninger til afværgelse af faren



Tip

- ▶ Anvendelsestips og nyttige informationer

2 Data om din Skotti

Apparatbetegnelse	Mobil gasgrill af typen Skotti	
Mål	Grillrist (L x B)	30,4 x 21 cm
	Samlet (L x B x H)	33,6 x 21,9 x 17,6 cm
	Pakket i taske (L x B x H)	45 x 30 x 3,5 cm
Ydelse	2,3... 2,5 kW 172... 187 g/h	
Vægt uden gaspatron	3 kg	
Tilladt gaspatron	EN 417 skruepatron med 7/16 x 28 UNEF-gevind (butan / propan gasblanding)	
Materiale	Grilllegeme, 1 mm rustfrit stål, grillrist, 3 mm rustfrit stål, taske af presenning	

Dysens diamete: 0,3 mm

3 Angående din sikkerhed – dette skal du vide

3.1 Dette kan du bruge Skotti til

- Brug kun Skotti til privat grilning.
- Brug kun Skotti udendørs.
- Brug kun Skotti som gasgrill med en gængs propan/butan gasblanding jf. EN 417.
Den genlukkelige gaspatron skal have et gevind, som passer til din gasregulator (7/16 x 28 UNEF-gevind).
- Benyt kun tilladte skruepatroner op til maks. 500 g.
- Tilslutning af andre gasbeholdere eller gasblandinger kan være meget farligt.
- Som alternativ kan Skotti bruges med grillkul eller træ.

3.2 Dette må du ikke bruge Skotti til

- Brug **ikke** Skotti til erhvervsmæssig grilning.
- Brug **aldrig** Skotti med naturgas.
- Mens du bruger Skotti, må du **ikke** løsne eller afmontere gasregulatoren (🔧) eller andre dele.
- Skub eller indbyg **aldrig** Skotti ind i en konstruktion.
Der skal altid sørges for en uhindret luftudskiftning.
Ellers kan der opstå brand eller eksplosion, som kan medføre alvorlige personskader endog dødsulykker og store materielle skader.
- Fortag **aldrig** ændringer eller reparationer af Skotti.
Derigennem kan der opstå risici, og garantien bliver ugyldig.
Få altid Skotti repareret af professionelle, vores adresse finder du i kapitel "1 Indledning".

3.3 Risici fra varme overflader

- Rør ikke ved Skotti under anvendelsen og lige efter grilning. Skotti og alle dens enkeltdele kan blive meget varme.
- Skotti skal også holdes under opsyn efter grilning – indtil grillen er afkølet. Om sommeren tager det ca. 20 minutter. Ellers kan der opstå ulykker, forbrændinger eller brand.

3.4 Risici for børn

- Skotti må **ikke** betjenes af børn.
- Hold børn langt væk fra Skotti, også under afkølingen efter grilning.

3.5 Risici ved gas

- Overhold anvisningerne på gaspatronen.
- Opbevar **aldrig** gaspatronen i nærheden af Skotti.
- Transporter og opbevar altid gaspatroner forsigtigt. Selv en tilsyneladende tom gaspatron kan stadig indeholde gas.
- Brug **aldrig** Skotti, hvis gastilførslen eller pakninger er defekte eller beskadigede.
- Led efter gaslækager med en vand/sæbe opløsning, f.eks. i en sprayflaske.
Spray de pågældende dele med denne, og åbn gasregulatoren.
På utætte steder fremkommer der små bobler.
Brug **aldrig** ild til at lede efter gaslækager. Det kan medføre en stikflamme eller en eksplosion.
- Gaspatronen må **aldrig** beskadiges. Det kan medføre en eksplosion.
- Få bulede eller rustne gaspatroner afprøvet af din gasleverandør før brug.
- Ved lave temperaturer kan flydende gas ikke længere omdannes så godt. Det betyder: Det brænder dårligere. Derfor anbefaler vi, at du bruger specielt vintergas eller Powergas om vinteren.



Gas kan medføre eksplosionsfare, brand og dødsulykker.

- ▶ Så snart der lugter af gas:
Drej straks gasregulatoren til højre (↻).
Adskil slangen fra gaspatronen.
Sluk straks åben ild, cigaretter mv.
- ▶ Hvis du stadig fornemmer gaslugt:
Hold afstand til Skotti og gaspatronen.
Informér gasleverandøren og/eller brandvæsenet.

3.6 Risiko for brand

- Brug **aldrig** Skotti uden opsyn.
- Brug **aldrig** Skotti på et antændeligt underlag som f.eks. et tæppe.
- Ved grilning holdes en sikkerhedsafstand til mulige risici i form af let antændelige materialer: Grundlæggende min. 10 meter.
- Læg aldrig brændbare dele på Skotti, når den er i brug eller stadig er varm.



Fedtbrande kan være livsfarlige.

- ▶ Hvis der opstår en fedtbrand:
Bevar roen.
Sluk så vidt muligt for gastilførslen (↻).
- ▶ Brug en speciel brandslukker, sand, natron eller bagepulver til slukning.
- ▶ Prøv **aldrig** at slukke en fedtbrand med vand eller mel.
Sandsynligheden for en ukontrollerbar stikflamme eller eksplosion er ekstremt høj.
- ▶ Bring dig selv og andre i sikkerhed.
- ▶ Ring til brandvæsenet på 112 i hele EU fra fastnet og mobilnet.
Det farlige område skal afsikres indtil brandvæsenet ankommer uden at bringe dig selv eller andre i fare.

4 Alt dette hører til din Skotti



Billede 1 Alt dette hører til din Skotti

Pos.	Betegnelse
1	1 x grillrist
2	1 x afbøjningsplade
3	1 x brænderrør
4	1 x gasslange med skrueregulator
5	1 x fodstykke med femkantet tændings- og flammekontrolhul
6	2 x lange sidestykker med logo og ståfødder
7	1 x gavl med rundt hul
8	1 x bunddel

5 Sådan samler du din Skotti

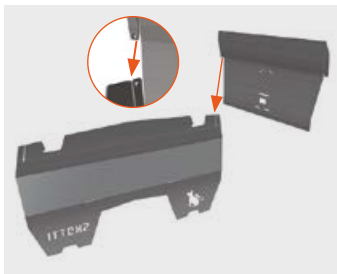
5.1 Hvor skal du stille din Skotti?

Overhold følgende punkter ved valg af grillplads:

- Skotti og alle dens enkeltdele kan blive meget varme, og i en sådan grad at du ikke kan flytte den. Før tænding skal du overveje, om grillpladsen opfylder sikkerhedskravene.
- Stil Skotti på et jævnt og stabilt underlag, og vær opmærksom på, at Skotti skal have min 5 cm. frihøjde til underlaget. Ellers kan udstrømmende gas, som ikke er blevet antændt, ikke slippe væk forned. Dette kan udløse en eksplosion.
- Hvis Skotti synker ned i sand, sne, is eller står skævt på et ujævnt underlag, så brug føddernes kanter til at rette den op med et stykke træ eller en sten, så den står stabilt og lige.
- Overhold altid montageanvisningen: Ved forkert montage af Skotti opstår der uforudsigelige risici for dig selv og andre.

5.2 Montering af Skotti

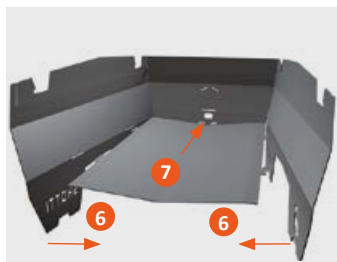
Ved montering af en Skotti-grill skal du bruge følgende fremgangsmåde:



1. Stik det lange sidestykke (6) på siden med Skotti-logoet og det korte fodstykke (5) med det femkantede hul ind i hinanden ved samlingsfugen. Begge dele er mærket med en lille trekant på samlingsfugen.
2. Stik fodstykket (5) og det andet lange sidestykke (6) ind i hinanden ved den smalle samlingsfuge på siden med Skotti-indskriften.

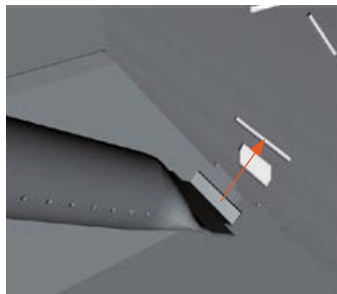


3. Læg bundstykket (8) med hvælvingen nedad mellem de tre samlede dele. Den glatte kant skal være foran, krogene og hagerne skal være på højde med slidserne.
4. Føj først krogene ind i slidserne i sidedelene (6).
5. Føj hagerne ind i fodstykkets slidser (5).



6. Skub bundstykket (8) så tæt hen på fodstykket (5) at krogene får fat i siderne og begge de forreste hager glider ind i de passende slidser på fodstykket.

7. Før brænderrøret (3) med den hullede side i en stejl vinkel og med hagen øverst ind i den ca. 3 cm lange slids over det femkantede hul.



8. Læg brænderrøret (3) på bundstykket (8) uden kraftanvendelse.

9. Læg afbøjningspladen (2) som tag over brænderrøret (3).

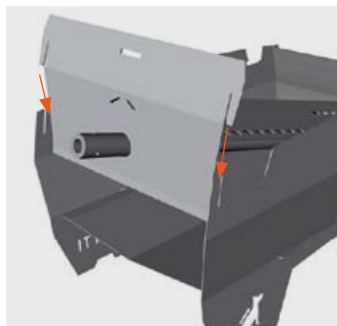
10. Stik hager fra den hullede side ind i fodstykkets (5) to skrå slidser.



11. Læg også afbøjningspladen (2) på bundstykket (8).

12. Tag den løse gavl (7) med det runde hul, og sæt den på brænderrørets (3) runde ende. Den hvælvede side skal pege indad.

13. Løft gavlen (7) op og stik begge strålepladens (2) hager i hoveddelens to skrå slidser.



14. Placer gavlens (7) samlingsfuger direkte over side-delens (6) samlingsfuger og tryk gavlen nedad.

✓ Der fremkommer en ligesidet grillkurv.



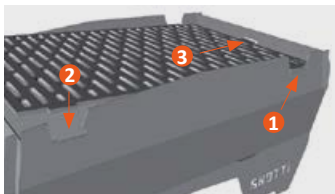
Tip

- På www.skotti-grill.eu finder du den tilhørende video.



5.3 Placering af grillrist

Ved placering af grillristen skal du bruge følgende fremgangsmåde:



1. Stil Skotti foran dig, sådan at brænderrørets (3) runde ende peger mod højre.
 2. Hold grillristen (1) med hånden, sådan at Skotti-logoet befinder sig nederst til højre.
 3. Læg først grillristen (1) på højre side i de dertil beregnede udsparinger.
 4. Lad grillristen (1) glide til venstre i udsparingerne.
 5. Skub grillristens (2) hager let til højre ind i udsparingerne.
- ✓ Efter en hørbar indrastning er grillen låst og stabil.

5.4 Grill med grillkul eller træ



Mulig brandfare ved forkert anvendelse.

- ▶ Brug **aldrig** brænderrøret til antændelse af trækul eller træ.
- ▶ Stil **aldrig** Skotti på transporttasken, når du griller med trækul eller træ – der opstår højere temperaturer end ved grilning med gas.

Hvis du vil bruge Skotti med grillkul eller træ, bruges følgende fremgangsmåde:

1. Fjern brænderrøret (3) sammen med afbøjningspladen (2) før du griller med trækul eller træ.
 2. Læg først grillristen (1) til grilning på Skotti ved små flammer.
- ✓ Nu kan du bruge Skotti til grillkul eller træ.



Tip

- ▶ For at beskytte miljøet anbefaler vi, at du: Så vidt muligt kun bruger Skotti med gas.

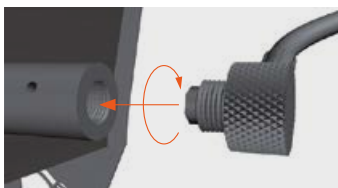
5.5 Tilslutning af gas



Potentiel livsfare ved forkert anvendelse af gaspatroner.

- ▶ Brug kun Skotti som gasgrill med en gængs propan / butan gasblanding jf. EN 417 med en maksimal fyldningsvægt på 500 gram.
- ▶ Den genlykkelige gaspatron skal have et gevind, som passer til din gasregulator (7/16 x 28 UNEF-gevind).
- ▶ Før tilslutning skal du sikre dig, at pakningerne mellem Skotti og gaspatronen er tilstede og er i upåklagelig tilstand. Brug **aldrig** Skotti med defekte eller slidte pakninger.
- ▶ Tilslut kun gaspatroner udendørs og i sikker afstand fra antændingskilder.
- ▶ Undgå belastende sning af gasslangen.

Ved tilslutning af gas skal du bruge følgende fremgangsmåde:



1. Skru enden med gasdysen forsigtigt på Skottis runde brænderrør-ende med uret. Enden skal side fast, men uden anvendelse af mange kræfter.



2. Luk gashanen med en fast drejning mod højre (↻), før du tilslutter gaspatronen.
 3. Skru gaspatronen på gasregulatoren og **ikke** omvendt.
- ✓ Gassen er tilsluttet.

5.6 Skift gaspatron



Potentiel livsfare ved forkert anvendelse af gaspatroner.

- ▶ Kontroller om brænderen er slukket **før** løsning af gaspatronen.
- ▶ **Før** skift af gaspatron, skal du undersøge om den er tom, f.eks ved at ryste den for at høre om der er væske i den.
- ▶ Skift **kun** gaspatronen udendørs og i sikker afstand fra antændingskilder og andre mennesker.
- ▶ Undgå belastende sning af gasslangen.

Ved skift af gaspatron skal du bruge følgende fremgangsmåde:



1. Luk gashanen med en fast drejning mod højre (↻), før du løsner gaspatronen.
 2. Skru gaspatronen af gasregulatoren og **ikke** omvendt.
- ➔ Gaspatronen er fjernet.



3. Før tilslutning skal du sikre dig, at pakningerne mellem Skotti og gaspatronen er tilstede og er i upåklagelig tilstand. Brug **aldrig** Skotti med defekte eller slidte pakninger.
 4. Skru den nye gaspatron på gasregulatoren og **ikke** omvendt.
- ✓ Gaspatronen er skiftet.

6 Sådan bruger du din Skotti

6.1 Før antændelse skal du undersøge den

Du skal gennemføre en sikkerhedsundersøgelse før hver tænding, hvor skal du gøre følgende:

1. Kontroller, at brænderrøret **ikke** er stoppet.
Fjern tilstopningen før du bruger Skotti.
2. Undersøg om gaspakningen og gasslangen er i orden.
3. Tænd **ikke** Skotti under en lækagetest.
4. Til lækagetesten er en vand/sæbe opløsning i en sprayflaske velegnet.
5. Gasslangen og forbindelserne mellem Skotti og gaspatronen sprøjtes.
6. Åbn gasregulatoren.
➔ Hvis der er utætte steder, opstår der små bobler.
7. Hvis der er utætte steder, drej gasregulatoren mod højre (↻) og skru gaspatronen af.
Brug **ikke** Skotti.
8. Sørg for at alle dele er monteret efter forskrifterne før tænding.
9. Fjern fedt fra Skotti før tænding, som måske stammer fra tidligere grilning. Fedtbrande er farlige og skal undgås.
- ✓ Når alt fungerer upåklageligt, kan du tænde Skotti.

6.2 Tænding



Livsfare ved forkert anvendelse og uagtsomhed mulig.

- ▶ Skotti må **ikke** udsættes for stærk vind, når den er i brug. Tændings- og flammekontrolhullet skal altid vende væk fra vinden.
- ▶ På på dig selv og dit tøj ved tænding. Under opvarmningen eller ved stærke rystelser af Skotti og/eller gaspatronen kan flydende gas løbe ud og give stikflammer. Eksempelvis kan langt, løst hår eller løst tøj hurtigt antændes.

Ved tænding af Skotti skal du bruge følgende fremgangsmåde:

1. Drej gasregulatoren på gaspatronen lidt til venstre på (↶), indtil du hører gassen strømme.
2. Antænd gassen i brænderrøret efter med en lighter eller en tændstik efter ca. 1-2 sekunder gennem det vaffelformede tændings- og flammekontrolhul ved fodstykket.



Gas kan medføre eksplosionsfare, brand og dødsulykker.

- ▶ Hvis du ikke kan antænde gassen i brænderrøret i løbet af 4 sekunder, opgiv tændingen f.eks. pga. vind, en defekt lighter, tændstik osv.
 - ▶ Drej gasregulatoren til højre og luk (↷).
 - ▶ Vent mindst 1 minut – så gassen kan løbe ud af grilllegemet. Ellers er der akut eksplosionsfare.
3. Gennem antændings- og flammekontrolhullet skal der **efter** hvert antændingsforsøg kontrolleres, om gassen i brænderrøret er antændt.
 4. Hvis flammen går ud, drej straks gasregulatoren til højre og luk (↷).



Mulig forbrændingsrisiko pga. varme overflader.

- ▶ Skotti er sandsynligvis stadig stærk opvarmet. Berør ikke nogen dele af Skotti ved tænding.
5. Vent mindst 1 minut før du tænder igen.
- ✓ God fornøjelse med din grill.

6.3 Grill-tips

Ved gasdrift kan du stille Skotti på transporttasken.

Den kan opfange fedt, som løber over, og kan nemt tørres af bagefter.

Opvarm altid Skotti først. Med Skotti går det meget hurtigt. Allerede efter 2 minutter kan du sagtens grille.

Skotti har ingen gastykreduktion. Det har vi bevidst undgået under udviklingen.

Området over antændings- og flammekontrolhullet er ofte mindre varmt. Så kan du holde den færdige grillmad dejligt varm eller lægge madvarer, som har brug for mindre varme, der. Alt efter vind og vejrbe- tingelser kan dette område være noget varmere eller koldere. Prøv dig frem.

Ved temperaturen under 10 °C bruges vintergas eller Powergas. Disse gasser kan bedre strømme igennem, også ved lavere temperaturer, pga. patronens konstruktion og gasblandingen.

7 Hvis det ikke helt går, som det skal

Gassen i brænderrøret kan ikke antændes

- Undgå direkte vindpåvirkning.
- Brug en funktionsdygtig lighter eller tændstik.
- Undersøg om der stadig er gas i patronen ved at dreje på gasregulato- ren.

Varmen er ujævnt fordelt

- Stil Skotti i læ for vinden.

Skotti bliver ikke så varm som normalt.

- Hvis det er koldere end 10 °C, brug vintergas eller Powergas (dette tilbydes af de enkelte producenter).

Gule flammer skyder frem under afbøjningspladen

- Reducer gassen (drej gasregulatoren lidt mod højre).

Der er stikflammer

- Læg **aldrig** alufolie i Skotti.
- Måske er grillkammeret snavset. Rengør dette.

8 Sådan opbevarer du din Skotti

Så snart Skotti er afkølet, kan du opbevare alle dele på en pladsbesparende måde i den vaskbare taske.

Når du skiller Skotti ad, skal du bruge følgende fremgangsmåde:

1. Sørg for, at gasregulatoren er drejet til højre (↻) og at delene ikke længere er varme.
 2. Skru gaspatronen af gasregulatoren.
 3. Skru enden med gasdysen mod uret ved den runde ende af brænderrøret (3) af Skotti.
 4. Stil dig foran Skotti, sådan at brænderrørets (3) runde ende peger mod højre.
 5. Med dine pegefingre løfter du begge de hager, som ligger i den venstre udsparring på grillristen (1) op.
 6. Træk grillristen (1) lidt mod venstre og løft den samtidig lidt op.
➔ Grillen er låst op.
 7. Løft gavlen (7) med den runde ende af brænderrøret (3) op, og løs-gør den fra afbøjningspladen (2) og brænderrøret.
 8. Træk afbøjningspladen (2) ud af slidserne i fodstykket (5).
 9. Løft brænderrøret (3) lidt i den runde ende, og træk den hullede ende ud af slidsen i fodstykket (5) i en stejl vinkel og uden kraftanvendelse.
 10. Træk bundpladen (8) af fodstykket (5) og sidestykkerne af og læg dem med den snavsede side på grillristen (1).
 11. Træk bunddelen (8) af begge de lange sidestykker (6) og fodstykket (5).
 12. Træk begge de lange sidestykker (6) af fodstykket (5).
- ✓ Skotti er skilt ad.



Tip

- ▶ Vi anbefaler, at du lægger delene i Skotti-tasken på følgende måde: Rist / bunddele (som tag over det hele) / 2 sidestykker / gavl- og fodstykke / afbøjningsplade.

9 Sådan plejer du din Skotti

Rengøring af din Skotti

Du kan vaske alle dele af Skotti i opvaskemaskinen – undtagen brænderør og gasslange med dyse og gasregulator.

Selvfølgelig også Skotti-tasken.

På denne måde bliver rengøringen sjov og tager næsten ingen tid.

- Før rengøringen skal du undersøge, om rengøringsmidlet er egnet til rustfri ståloverflader. Ellers kan der opstå ridser.
- Hvis noget er brændt stærkt på, er vask i opvaskemaskine ikke nok. Læg først delene i blød i opvaskevand længe.
- For at få Skotti gjort ordenligt ren igen anbefaler vi sæbepuder af ståluld til overflader af rustfrit stål eller andre grill- eller ovnrensninger.
Disse opløser på en nem og billig måde også det, der er brændt på – og Skotti bliver som ny og skinnende ren.
- "Udvid" **ikke** ventildyserne eller den runde ende af brænderrøret ved rengøring.
- Rengør kun brænderrøret, når gasslangen er skruet af, da gasdysen ellers kan blive tilstoppet.
- Når brænderrørets dysehuller med tiden bliver tillukkede, børst dem blødt med en kobberbørste og ryst røret med åbningen nedad.

Vedligeholdelse af din Skotti

Hver 3. måned skal du tage dig af din Skotti, så den holdes i optimal stand:

- Undersøg brænderrøret indvendigt, og rengør det ved tilsmudsning eller forstoppelse.
- Undersøg gasslangen og udskift den, hvis den er beskadiget eller utæt.
- Undersøg tætningerne og udskift dem ved skader eller slid.

10 Vores garanti på din Skotti

Hos Vennskap giver vi dig en garanti på to år fra købsdatoen for alle dele af din Skotti. Den gælder for:

- Gasslange med gasdyse og gasregulator
- Brænderrør
- Skotti-taske

Da vi har stor tiltro til vores apparat, udvider vi garantien endnu mere. Vi giver dig:

- 5 års garanti på Skotti-grilllegemet med grillrist

Vores garanti gælder kun, hvis Skotti samles, anvendes og plejes i henhold til denne brugsanvisning, og at vi efter vores undersøgelse kan fastslå, at apparatet eller enkeltdele virkelig er fejlbehæftede. Vi reparerer eller erstatter så gratis hele apparatet eller fejlbehæftede enkeltdele. Tag venligt direkte kontakt til os i tilfælde af reklamation.

Ved en reklamation skal du have bevis for købsdatoen (dvs.: gem venligst regningen!) og vedlægge en skriftlig beskrivelse af fejlen / problemet. Hvis vi opfordrer dig til at indsende de fejlbehæftede dele, skal du afholde fragtudgifterne. Vi sender så de reparerede eller erstattede dele tilbage og betaler fragtudgifterne.

Du kan finde flere oplysninger på vores hjemmeside:

www.skotti-grill.eu



11 Bortskaffelse og genanvendelse

Bortskaf brugte gaspatroner, væsker fra rengøring og selve Skotti under hensyntagen til vores miljø og i henhold til de lokale forskrifter og miljøregler.

Du kan få oplysninger om dette hos din gasforhandler og hos din kommune.

Inhalt

1	Einführung.....	2
1.1	So erklären wir Dir Deinen Skotti	2
1.2	Hier musst Du aufpassen	3
2	Dein Skotti in Daten	3
3	Für Deine Sicherheit - das musst Du wissen	4
3.1	Dafür kannst Du Skotti verwenden	4
3.2	Das darfst Du nicht mit Skotti tun	4
3.3	Risiken durch heiße Oberflächen	5
3.4	Risiken für Kinder	5
3.5	Risiken durch Gas.....	5
3.6	Risiken durch Feuer.....	6
4	Das alles gehört zu Deinem Skotti	7
5	So baust Du Deinen Skotti auf.....	8
5.1	Wo solltest Du Deinen Skotti aufbauen?.....	8
5.2	Skotti montieren	8
5.3	Grillrost auflegen	10
5.4	Mit Grillkohle bzw. Holz grillen	10
5.5	Gas anschließen	11
5.6	Gaskartusche wechseln	12
6	So benutzt Du Deinen Skotti	13
6.1	Vor dem Anzünden prüfen.....	13
6.2	Anzünden.....	14
6.3	Grill-Tipps.....	15
7	Wenn es mal nicht ganz klappt.....	15
8	So verstaust Du Deinen Skotti wieder	16
9	So pflegst Du Deinen Skotti.....	17
10	Unsere Garantie für Deinen Skotti.....	18
11	Entsorgung und Recycling	18

1 Einführung

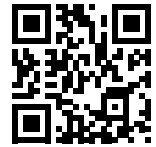
Diese Gebrauchsanleitung ermöglicht den sicheren und effizienten Umgang mit Skotti. Außerdem enthält sie wichtige Hinweise zur Pflege Deines Skotti.

Wichtig

Lies diese Gebrauchsanleitung aufmerksam durch, um dich mit Skotti vertraut zu machen, bevor Du ihn an die Gaskartusche oder Gasflasche anschließt. Bewahre die Gebrauchsanleitung auf, um sie erneut zu lesen oder an andere Nutzer weitergeben zu können.

Hersteller

Vennskap GmbH & Co.KG
In der Loh 36 c
40668 Meerbusch
+49 (0) 2150-7076910
www.skotti-grill.eu



1.1 So erklären wir Dir Deinen Skotti

Wenn du etwas tun musst

Um eine Handlung durchzuführen, gehst Du wie folgt vor:

1. Tue dies.
2. Tue das.
➔ Dieses Zwischenergebnis resultiert daraus.
3. Tue jenes.
✓ Du hast die Handlung durchgeführt.

Aufzählungen werden wie folgt dargestellt

- Aufzählung 1. Ordnung

1.2 Hier musst Du aufpassen



GEFAHR

Weist auf eine gefährliche Situation hin, die zu schwerer Körperverletzung oder Tod führt.

- ▶ Maßnahmen zur Vermeidung der Gefahr



Tipp

- ▶ Anwendungstipps und nützliche Informationen

2 Dein Skotti in Daten

Gerätebezeichnung		Mobiler Gasgrill Typ Skotti
Maße	Grillrost (L x B)	30,4 x 21 cm
	Aufgebaut (L x B x H)	33,6 x 21,9 x 17,6 cm
	Gepackte Tasche (L x B x H)	45 x 30 x 3,5 cm
Leistung		2,3 ... 2,5 kW 172 ... 187 g/h
Gewicht ohne Gaskartusche		3 kg
Zulässige Gaskartusche		EN 417 Schraubkartusche mit 7/16 x 28 UNEF-Gewinde (Butan / Propan Gasgemisch)
Material		1 mm Edelstahl beim Grillkörper, 3 mm Edelstahl beim Grillrost, Planentasche

Durchmesser der Düse: 0,3 mm

3 Für Deine Sicherheit - das musst Du wissen

3.1 Dafür kannst Du Skotti verwenden

- Verwende Skotti nur für privates Grillen.
- Verwende Skotti ausschließlich im Freien.
- Verwende Skotti als Gasgrill ausschließlich mit einem handelsüblichen Propan / Butan-Gasgemisch nach EN 417.
Die wiederverschließende Gaskartusche muss ein passendes Gewinde für Deinen Gasregler haben (7/16 x 28 UNEF-Gewinde).
- Benutze nur zugelassene Schraubkartuschen bis max. 500 g.
- Andere Gasbehälter bzw. Gasgemische anzuschließen kann sehr gefährlich sein.
- Verwende Skotti alternativ mit Grillkohle oder Holz.

3.2 Das darfst Du nicht mit Skotti tun

- Verwende Skotti **nicht** für gewerbliches Grillen.
- Verwende Skotti **nie** mit Erdgas.
- Während Du Skotti benutzt, darfst Du den Gasregler (🔌) oder andere Teile **nicht** lösen oder demontieren.
- Schiebe oder baue Skotti **nie** in eine Konstruktion ein.
Es muss immer ein ungehinderter Luftaustausch gewährleistet sein. Sonst können Brand oder Explosion verursacht werden, die schwere oder sogar tödliche Verletzungen und hohe Sachschäden nach sich ziehen können.
- Nimm **nie** Veränderungen oder Reparaturen an Skotti vor.
Dadurch können Gefahren entstehen und die Garantie erlischt. Lasse Skotti immer von Profis reparieren; unsere Adresse findest du im Kapitel "1 Einführung".

3.3 Risiken durch heiße Oberflächen

- Berühre Skotti weder während der Benutzung, noch direkt nach dem Grillen. Skotti und alle seine Einzelteile können sehr heiß werden.
- Skotti muss auch nach dem Grillen beaufsichtigt werden – bis der Grill abgekühlt ist. Im Sommer dauert das ca. 20 Minuten. Sonst können Unfälle, Verbrennungen oder Brand verursacht werden.

3.4 Risiken für Kinder

- Skotti darf **nicht** von Kindern bedient werden.
- Halte Kinder von Skotti fern, auch während des Abkühlens nach dem Grillen.

3.5 Risiken durch Gas

- Beachte die Hinweise auf der Gaskartusche.
- Lagere **nie** Gaskartuschen in der Nähe von Skotti.
- Transportiere und lagere Gaskartuschen immer vorsichtig. Auch in einer scheinbar leeren Gaskartusche kann noch Gas enthalten sein.
- Benutze Skotti **nie**, wenn die Gaszufuhr oder Dichtungen defekt oder fehlerhaft sind.
- Suche nach Gaslecks nur mit einer Seifen-Wasser-Lösung, z. B. in einer Sprühflasche. Sprühe damit die entsprechenden Teile ein und öffne den Gasregulator. An undichten Stellen treten kleine Blasen aus. Verwende **nie** eine Flamme, um nach Gaslecks zu suchen. Es kann eine Stichflamme oder Explosion geben.
- Beschädige **nie** die Gaskartusche. Es kann eine Explosion geben.
- Lasse verbeulte oder rostige Gaskartuschen vor Gebrauch von Deinem Gaslieferanten prüfen.
- Bei niedrigen Temperaturen kann sich Flüssiggas nicht mehr so gut umwandeln. Das heißt: Es verbrennt schlechter. Im Winter empfehlen wir Dir deshalb, spezielles Wintergas oder Powergas zu verwenden.



Explosionsgefahr, Feuer und tödliche Verletzungen durch Gas möglich.

- ▶ Sobald es nach Gas riecht:
Drehe sofort den Gasregler nach rechts zu (↻).
Trenne den Schlauch von der Gaskartusche.
Lösche sofort offene Flammen, Zigaretten, etc.
- ▶ Falls Du weiterhin Gasgeruch wahrnimmst:
Halte Abstand zu Skotti und der Gaskartusche.
Informiere den Gaslieferanten und / oder die Feuerwehr.

3.6 Risiken durch Feuer

- Benutze Skotti **nie** unbeaufsichtigt.
- Benutze Skotti **nie** auf entzündbarem Untergrund wie einem Tuch.
- Halte beim Grillen Sicherheitsabstände zu möglichen Gefahrenbereichen wie leicht entzündlichen Stoffen: grundsätzlich min. 10 Meter.
- Lege niemals entflammbare Teile auf Skotti, wenn dieser in Benutzung oder noch heiß ist.



Lebensgefahr durch Fettbrand möglich.

- ▶ Falls es zu einem Fettbrand kommt:
Ruhe bewahren.
Stelle möglichst die Gaszufuhr ab (↻).
- ▶ Verwende einen speziellen Feuerlöscher, Sand, Natron oder Backpulver zum Löschen.
- ▶ Versuche **nie** mit Wasser oder Mehl einen Fettbrand zu löschen.
Die Wahrscheinlichkeit einer unkontrollierbaren Stichflamme oder Explosion ist extrem hoch.
- ▶ Bringe dich und andere in Sicherheit.
- ▶ Rufe die Feuerwehr unter der EU-weiten Nummer 112 aus dem Festnetz und Mobilnetz.
Sichere bis zum Eintreffen der Feuerwehr den Gefahrenbereich ab, ohne Dich oder andere in Gefahr zu bringen.

4 Das alles gehört zu Deinem Skotti



Bild 1 Das alles gehört zu Deinem Skotti

Pos.	Bezeichnung
1	1 x Grillrost
2	1 x Abstrahlblech
3	1 x Brennerrohr
4	1 x Gasschlauch mit Schraubregulator
5	1 x Fußteil mit wabenförmigem Zünd- und Flammenkontrollloch
6	2 x lange Seitenteile mit Logo und Standfüßen
7	1 x Kopfteil mit rundem Loch
8	1 x Bodenteil

5 So baust Du Deinen Skotti auf

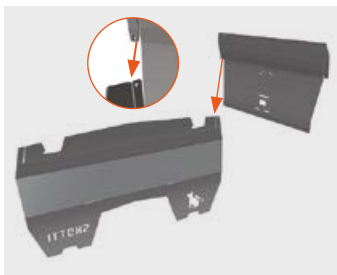
5.1 Wo solltest Du Deinen Skotti aufbauen?

Beachte folgende Punkte bei der Wahl des Grillplatzes:

- Skotti und alle seine Einzelteile können sehr heiß werden, sodass Du ihn nicht bewegen kannst. Überlege Dir vor dem Anzünden, ob der Grillplatz den Sicherheitsansprüchen genügt.
- Stelle Skotti auf einen geraden und stabilen Untergrund und beachte, dass Skotti min. 5 cm Freiraum zum Boden haben muss. Sonst kann ausgeströmtes Gas, das sich nicht entzündet hat, nicht nach unten entweichen. Dadurch kann eine Explosion ausgelöst werden.
- Wenn Skotti auf Sand, Schnee, Eis oder schiefem Untergrund einsinkt oder schief steht, nutze die Kanten in den Standflächen, um ihn mit einem Stück Holz oder einem Stein stabil und gerade auszurichten.
- Beachte immer die Montageanleitung: Bei falscher Montage von Skotti entstehen unvorhersehbare Gefahren für Dich und andere.

5.2 Skotti montieren

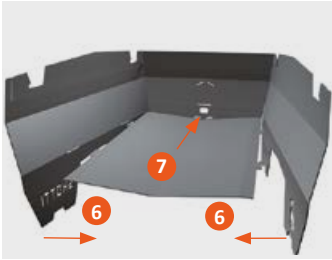
Um Skotti-Grill zu montieren, gehst Du wie folgt vor:



1. Stecke das lange Seitenteil (6) auf der Seite mit Skotti-Logo und das kurze Fußteil (5) mit wabenförmigem Loch an der Verbindungsfuge ineinander. Beide Teile sind an der Verbindungsfuge mit einem kleinen Dreieck gekennzeichnet.
2. Stecke das Fußteil (5) und das zweite lange Seitenteil (6) an der schmalen Verbindungsfuge auf der Seite mit Skotti-Schriftzug ineinander.

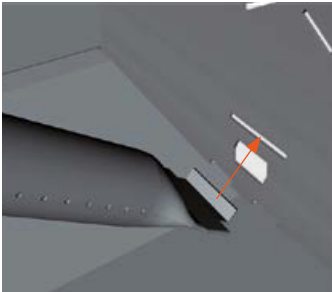


3. Lege das Bodenteil (8) mit der Wölbung nach unten zwischen die drei aufgebauten Teile. Die glatte Kante muss vorne, die Haken und Nasen auf Höhe der Schlitze sein.
4. Füge zuerst die Haken in die Schlitze der Seitenteile (6).
5. Füge die Nasen in die Schlitze des Fußteils (5).



6. Schiebe das Bodenteil (8) so nah an das Fußteil (5) heran, dass die Haken seitlich Halt bekommen und die beiden vorderen Nasen am Bodenteil in die passenden Schlitze des Fußteils gleiten.

7. Führe das Brennerrohr (3) mit der gequetschten Seite im steilen Winkel und mit der Nase nach oben in den etwa 3 cm langen Schlitz über dem wabenförmigen Loch.



8. Lege das Brennerrohr (3) ohne Kraftanwendung auf dem Bodenteil (8) ab.

9. Lege das Abstrahlblech (2) wie ein Dach über das Brennerrohr (3).

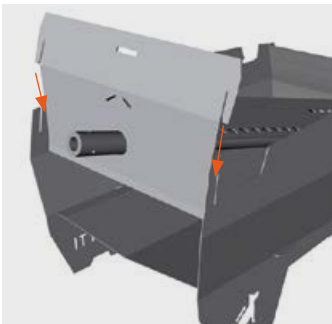
10. Stecke die Nasen der gelochten Seite in die zwei schrägen Schlitze des Fußteils (5).



11. Lege auch das Abstrahlblech (2) auf dem Bodenteil (8) ab.

12. Nimm das lose Kopfteil (7) mit rundem Loch und stecke es auf das runde Ende des Brennerrohrs (3). Die eingewölbte Seite muss nach innen zeigen.

13. Hebe das Kopfteil (7) nach oben an und stecke die beiden Nasen des Abstrahlblechs (2) in die zwei schrägen Schlitze des Kopfteils.



14. Platziere die Verbindungsfugen des Kopfteils (7) direkt über denen der Seitenteile (6) und drücke das Kopfteil nach unten.

✓ Es entsteht ein seitengleicher Grillkorb.



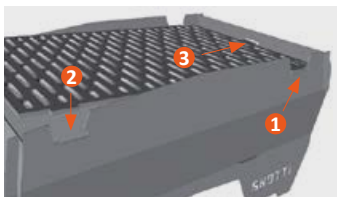
Tipp

- ▶ Auf www.skotti-grill.eu findest Du dazu das passende Video.



5.3 Grillrost auflegen

Um den Grillrost aufzulegen, gehst Du wie folgt vor:



1. Stelle Skotti so vor Dich, dass das runde Ende des Brennerrohrs (3) nach rechts zeigt.
 2. Nimm den Grillrost (1) so in die Hand, dass sich das Skotti-Logo rechts unten befindet.
 3. Lege den Grillrost (1) zuerst auf der rechten Seite in die dafür vorgesehenen Aussparungen.
 4. Lasse den Grillrost (1) links in die Aussparungen gleiten.
 5. Schiebe den Grillrost (1) an den Nasen in den Aussparungen leicht nach rechts.
- ✓ Nach einem hörbaren Einrasten ist der Grill verriegelt und stabil.

5.4 Mit Grillkohle bzw. Holz grillen



Brandgefahr durch falsche Verwendung möglich.

- ▶ Verwende das Brennerrohr **nie** zum Anzünden von Holzkohle oder Holz.
- ▶ Stelle Skotti **nie** auf die Transporttasche, wenn Du mit Holzkohle oder Holz grillst – es entstehen höhere Temperaturen als beim Grillen mit Gas.

Um Skotti mit Grillkohle oder Holz zu verwenden, gehst Du wie folgt vor:

1. Entferne das Brennerrohr (3) zusammen mit dem Abstrahlblech (2), bevor Du mit Holzkohle oder Holz grillst.
 2. Lege den Grillrost (1) nur zum Grillen bei kleiner Flamme auf Skotti.
- ✓ Nun kannst Du Skotti mit Grillkohle oder Holz verwenden.



Tipp

- ▶ Auch wenn es möglich ist – zum Schutz der Umwelt empfehlen wir Dir: Benutze Skotti lieber ausschließlich mit Gas.

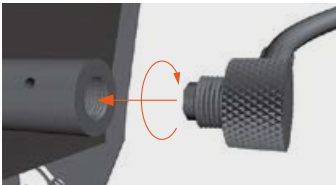
5.5 Gas anschließen



Lebensgefahr durch falsche Verwendung von Gaskartuschen möglich.

- ▶ Verwende Skotti als Gasgrill ausschließlich mit einem handelsüblichen Propan / Butan-Gasgemisch nach EN 417 mit einem maximalen Füllgewicht von 500 Gramm.
- ▶ Die wiederverschließende Gaskartusche muss ein passendes Gewinde für Deinen Gasregler haben (7/16 x 28 UNEF-Gewinde).
- ▶ Überzeuge Dich vor dem Anschließen, dass die Dichtungen zwischen Skotti und Gaskartusche vorhanden und in einwandfreiem Zustand sind. Verwende Skotti **nie** mit defekten oder abgenutzten Dichtungen.
- ▶ Schließe Gaskartuschen nur im Freien und in sicherem Abstand von Zündquellen an.
- ▶ Vermeide Drehbeanspruchungen des Gasschlauchs.

Um das Gas anzuschließen, gehst Du wie folgt vor:



1. Drehe das Ende mit der Gasdüse im Uhrzeigersinn und mit Gefühl auf das runde Brennerrohrende von Skotti.
Das Ende sollte fest aufsitzen, ohne viel Kraft anzuwenden.



2. Verschließe den Gashahn mit einem handfesten Zudrehen nach rechts (↻), bevor Du die Gaskartusche anschließt.
 3. Drehe die Gaskartusche auf den Gasregler und **nicht** umgekehrt.
- ✓ Das Gas ist angeschlossen.

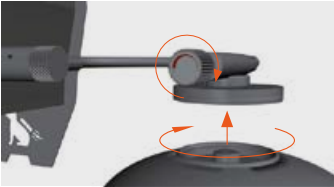
5.6 Gaskartusche wechseln



Lebensgefahr durch falsche Verwendung von Gaskartuschen möglich.

- ▶ Prüfe **vor** dem Lösen der Gaskartusche, dass der Brenner erloschen ist.
- ▶ Prüfe **vor** dem Wechsel der Gaskartusche, dass diese leer ist, z. B. schütteln, damit das Schwappen der Flüssigkeit hörbar wird.
- ▶ Wechsele die Gaskartusche **nur** im Freien und mit sicherem Abstand von Zündquellen und anderen Personen.
- ▶ Vermeide Drehbeanspruchungen des Gasschlauchs.

Um die Gaskartusche zu wechseln, gehst Du wie folgt vor:



1. Verschließe den Gashahn mit einem handfesten Zudrehen nach rechts (↻), bevor Du die Gaskartusche löst.

2. Drehe die Gaskartusche vom Gasregler und **nicht** umgekehrt.

➔ Die Gaskartusche ist entfernt.



3. Überzeuge Dich vor dem Anschließen, dass die Dichtungen zwischen Skotti und Gaskartusche vorhanden und in einwandfreiem Zustand sind. Verwende Skotti **nie** mit defekten oder abgenutzten Dichtungen.

4. Drehe die neue Gaskartusche auf den Gasregler und **nicht** umgekehrt.

✓ Die Gaskartusche ist gewechselt.

6 So benutzt Du Deinen Skotti

6.1 Vor dem Anzünden prüfen

Um die Sicherheitsprüfungen vor jedem Anzünden durchzuführen, gehst Du wie folgt vor:

1. Prüfe, ob das Brennerrohr **nicht** verstopft ist.
Löse die Verstopfung, bevor du Skotti verwendest.
 2. Prüfe, ob die Gasdichtungen und der Gasschlauch in Ordnung sind.
 3. Zünde Skotti **nicht** während eines Leck-Tests.
 4. Für den Leck-Test eignet sich eine Seifen-Wasser-Lösung in einer Sprühflasche.
 5. Sprühe damit den Gasschlauch und die Verbindungen zwischen Skotti und der Gaskartusche ein.
 6. Öffne den Gasregler.
➔ Falls es undichte Stellen gibt, entstehen kleine Blasen.
 7. Wenn es undichte Stellen gibt, drehe den Gasregler nach rechts (🔴) und schraube die Gaskartusche ab.
Benutze Skotti **nicht**.
 8. Stelle vor dem Zünden sicher, dass alle Teile vorschriftsmäßig montiert sind.
 9. Entferne vor dem Zünden Fett aus Skotti, das vielleicht von vorherigem Grillen stammt. Fettbrände sind gefährlich und müssen vermieden werden.
- ✓ Wenn alles einwandfrei funktioniert, kannst du Skotti anzünden.

6.2 Anzünden



Lebensgefahr durch falsche Verwendung und Unachtsamkeit möglich.

- ▶ Skotti sollte im Betrieb **nicht** zu starkem Wind ausgesetzt sein. Das Zünd- und Flammenkontrollloch sollte immer vom Wind abgewandt sein.
- ▶ Achte beim Anzünden auf Dich und Deine Kleidung. Während des Vorheizens oder bei starkem Schütteln von Skotti und / oder der Gaskartusche kann das Gas flüssig austreten und zu Stichflammen führen. Beispielsweise können sich lange umherfliegende Haare oder weite Kleidung schnell entzünden.

Um Skotti anzuzünden, gehst Du wie folgt vor:

1. Drehe den Gasregler an der Gaskartusche leicht nach links auf (↶), bis Du das Gas strömen hörst.
2. Zünde das Gas im Brennerrohr nach ca. 1 - 2 Sekunden mit einem Feuerzeug oder Streichholz durch das wabenförmige Zünd- und Flammkontrollloch am Fußteil.



Explosionsgefahr, Feuer und tödliche Verletzungen durch Gas möglich.

- ▶ Wenn Du das Gas im Brennerrohr nicht innerhalb von 4 Sekunden entzünden kannst, brich das Zünden ab, z. B. aufgrund von Wind, einem fehlerhaften Feuerzeug, Streichholz, etc.
 - ▶ Drehe den Gasregler nach rechts zu (↷).
 - ▶ Warte mindestens 1 Minute – damit das Gas aus dem Grillkörper entweichen kann. Sonst herrscht akute Explosionsgefahr.
3. Kontrolliere durch das Zünd- und Flammenkontrollloch **nach** jedem Zündversuch, ob das Gas im Brennerrohr entzündet ist.
 4. Wenn die Flammen ausgehen, drehe unverzüglich den Gasregler nach rechts zu (↷).



Verbrennungsgefahr durch heiße Oberflächen möglich.

- ▶ Skotti ist wahrscheinlich noch stark erhitzt. Berühre keine Teile von Skotti beim Zünden.
5. Warte mindestens 1 Minute, bevor du erneut zündest.
- ✓ Viel Spaß beim Grillen.

6.3 Grill-Tipps

Du kannst Skotti im Gasbetrieb auf die Transporttasche stellen. Diese kann herunterlaufendes Fett auffangen und anschließend bequem abgewischt werden.

Heize Skotti immer etwas vor. Bei Skotti geht das sehr schnell. Bereits nach 2 Minuten kannst Du super grillen.

Skotti hat keinen Gasdruckminderer. Auf diesen haben wir bei der Entwicklung bewusst verzichtet.

Der Bereich über dem Zünd- und Flammenkontrollloch ist oft etwas weniger heiß. So kannst Du fertiges Grillgut schön warmhalten oder Grillgut, das weniger Hitze benötigt, dort auflegen.

Je nach Wind und Wetterbedingungen kann dieser Bereich etwas wärmer oder kälter sein. Probier es einfach aus.

Nutze bei Temperaturen unter 10 °C Wintergas oder Powergas. Dieses kann auch bei niedrigeren Temperaturen durch die baulichen Eigenschaften der Kartusche und Gasmischung besser ausströmen.

7 Wenn es mal nicht ganz klappt

Gas im Brennerrohr lässt sich nicht entzünden

- Vermeide direkte Windeinwirkung.
- Verwende ein funktionsfähiges Feuerzeug oder Streichholz.
- Prüfe nach Zudrehen des Gasreglers, ob noch Gas in der Kartusche ist.

Hitzeverteilung ist ungleichmäßig

- Stelle Skotti windgeschützt auf.

Skotti entfaltet nicht die gewohnte Hitze

- Wenn es kälter als 10 °C ist, verwende Wintergas oder Powergas (dieses bieten einzelne Hersteller an).

Gelbe Flammen schießen unter Abstrahlblech hervor

- Reduziere das Gas (Gasregler etwas nach rechts zudrehen).

Es gibt Stichflammen

- Lege **nie** Alufolie in Skotti.
- Möglicherweise ist die Grillkammer verschmutzt. Reinige diese.

8 So verstaust Du Deinen Skotti wieder

Sobald Skotti abgekühlt ist, kannst Du alle Teile einfach wieder platzsparend in der abwaschbaren Tasche verstauen.

Um Skotti abzubauen, gehst Du wie folgt vor:

1. Stelle sicher, dass der Gasregler nach rechts zuge dreht ist (🔴) und die Teile nicht mehr heiß sind.
 2. Drehe die Gaskartusche vom Gasregler ab.
 3. Drehe das Ende mit der Gasdüse gegen den Uhrzeigersinn vom runden Ende des Brennerrohrs (3) von Skotti ab.
 4. Stelle Dich so vor Skotti, dass das runde Ende des Brennerrohrs (3) nach rechts zeigt.
 5. Hebe mit Deinen Zeigefingern die beiden Nasen am Grillrost (1) an, die in den linken Aussparungen liegen.
 6. Ziehe den Grillrost (1) etwas nach links und hebe ihn gleichzeitig etwas an.
➔ Der Grill ist entriegelt.
 7. Hebe das Kopfteil (7) mit dem runden Ende des Brennerrohrs (3) nach oben an und löse es von Abstrahlblech (2) und Brennerrohr.
 8. Ziehe das Abstrahlblech (2) aus den Schlitzen des Fußteils (5).
 9. Hebe das Brennerrohr (3) am runden Ende etwas an und ziehe das gequetschte Ende im steilen Winkel und ohne Kraftwendung aus dem Schlitz des Fußteils (5).
 10. Ziehe das Bodenblech (8) aus Fußteil (5) und Seitenteilen (6) heraus und lege es mit der schmutzigen Seite auf den Grillrost (1).
 11. Ziehe das Bodenteil (8) aus den beiden langen Seitenteilen (6) und dem Fußteil (5).
 12. Ziehe die beiden langen Seitenteile (6) aus dem Fußteil (5).
- ✓ Skotti ist abgebaut.



Tipp

- ▶ Wir empfehlen Dir, die Teile folgendermaßen in die Skotti-Tasche zurückzulegen:
Rost / Bodenteil (als Dach darüber) / 2 Seitenteile / Kopf- und Fußteil / Abstrahlblech.

9 So pflegst Du Deinen Skotti

Reinigung Deines Skotti

Du kannst alle Teile von Skotti – außer Brennerrohr und Gasschlauch mit Düse und Gasregler – in die Spülmaschine stellen.

Die Tasche von Skotti selbstverständlich auch.

So macht das Reinigen Spaß und kostet nur wenig Zeit.

- Überprüfe vor dem Reinigen, ob die Reinigungsmittel für eine Edelstahloberfläche geeignet sind. Ansonsten können Kratzer entstehen.
- Für stark Eingebrauntes reicht eine Reinigung in der Spülmaschine nicht. Lass diese Teile zuerst gründlich in Spülwasser einweichen.
- Damit Skotti wieder richtig sauber wird, empfehlen wir Dir Seifenpads aus Stahlwolle für Edelstahloberflächen oder andere Grill- bzw. Backofenreiniger.
Diese lösen mit wenig Aufwand und zum kleinen Preis auch Eingebrauntes – und Skotti erstrahlt wieder in neuem Glanz.
- "Weite" beim Reinigen des Ventils oder Brennerrohrs **nicht** die Ventildüsen oder das runde Ende des Brennerrohrs.
- Reinige das Brennerrohr nur, wenn der Gasschlauch abgeschraubt ist, da sonst die Gasdüse verstopfen könnte.
- Wenn sich die Düsenlöcher des Brennerrohrs mit der Zeit verschließen, bürste diese mit einer Kupferbürste sanft ab und schüttele das Rohr mit der Öffnung nach unten aus.

Wartung Deines Skotti

Alle 3 Monate musst Du Dich um Deinen Skotti kümmern, damit er in optimalem Zustand bleibt:

- Prüfe das Brennerrohr innen und reinige dies bei Verschmutzung oder Verstopfung.
- Prüfe den Gasschlauch und ersetze diese bei Beschädigung oder Undichtigkeit.
- Prüfe die Dichtungen und ersetze diese bei Beschädigung oder Verschleiß.

10 Unsere Garantie für Deinen Skotti

Bei Vennskap geben wir Dir für Deinen Skotti ab dem Kaufdatum eine zweijährige Garantie für alle Teile. Das gilt für:

- Gasschlauch mit Gasdüse und Gasregler
- Brennerrohr
- Skotti-Tasche

Da wir von unserem Gerät aber mehr als überzeugt sind, erweitern wir unsere Garantie sogar noch. Wir geben Dir:

- 5 Jahre Garantie für den Skotti-Grillkörper mit Grillrost

Unsere Garantie gilt nur, wenn Skotti gemäß dieser Gebrauchsanleitung aufgebaut, benutzt und gepflegt wird und wir nach unserer Prüfung feststellen, dass das Gerät oder einzelne Teile wirklich fehlerhaft sind. Wir reparieren oder ersetzen dann kostenlos das ganze Gerät oder fehlerhafte Einzelteile. Nimm bitte im Reklamationsfall immer direkt Kontakt mit uns auf.

Für eine Reklamation musst Du das Kaufdatum nachweisen (also: Rechnung bitte aufbewahren!) und eine Beschreibung des Fehlers / Problems in Schriftform hinzufügen. Wenn wir Dich auffordern, die fehlerhaften Teile einzusenden, übernimmst Du die Versandkosten. Wir senden Dir dann reparierte oder ersetzte Teile zurück und übernehmen dafür die Versandkosten.

Weitere Informationen findest du auch auf unserer Webseite:

www.skotti-grill.eu



11 Entsorgung und Recycling

Entsorge verbrauchte Gaskartuschen, bei der Reinigung anfallende Flüssigkeiten und Skotti selbst mit Rücksicht auf unsere Umwelt entsprechend den örtlichen Entsorgungsvorschriften und Umweltgesetzen.

Hinweise dazu kann Dir Dein Gashändler und die örtliche Kommunalbehörde geben.

Contenido

1	Introducción	1
1.1	Así te explicamos tu Skotti	1
1.2	Aquí debes prestar atención a	2
2	Tu Skotti en datos	2
3	Para tu seguridad – lo que debes saber	2
3.1	Para esto puedes usar Skotti	2
3.2	Lo que no puedes hacer con Skotti	2
3.3	Peligros por superficies calientes.....	3
3.4	Peligros para los niños	3
3.5	Peligros por gas.....	3
3.6	Peligros por fuego.....	3
4	Todo lo que incluye tu Skotti	4
5	Así montas tu Skotti	4
5.1	¿Dónde deberías montar tu Skotti?	4
5.2	Montar Skotti	4
5.3	Colocar la parrilla	5
5.4	Hacer una barbacoa con carbón o madera.....	5
5.5	Conectar gas	6
5.6	Cambiar el cartucho de gas.....	6
6	Así utilizas tu Skotti	7
6.1	Comprobar antes de encenderlo	7
6.2	Encendido	7
6.3	Consejos para el uso de la barbacoa.....	8
7	Si no lo consigues	8
8	Así guardas tu Skotti otra vez	8
9	Así cuidas tu Skotti	9
10	Nuestra garantía para tu Skotti	9
11	Residuos y reciclaje	9

1 Introducción

Este manual de instrucciones ofrece un uso seguro y eficiente de Skotti. También contiene advertencias importantes para el mantenimiento de tu Skotti.

Importante

Lee este manual de instrucciones con cuidado para familiarizarte con él antes de conectar el cartucho o la bombona de gas. Guarda el manual de instrucciones para volver a consultarlo o poder entregárselo a otros usuarios.

Fabricante

Vennskap GmbH & Co.KG
In der Loh 36 c
40668 Meerbusch
+49 (0) 2150-7076910
www.skotti-grill.eu



1.1 Así te explicamos tu Skotti

Cuando debes hacer algo

Para realizar una acción procede como se indica a continuación:

1. Haz esto.
2. Haz lo otro.
➔ Este resultado intermedio lo obtienes a partir de ahí.
3. Haz aquello.
✓ Ya has realizado la acción.

Las listas se representan como se indica a continuación

- Lista 1. Orden

1.2 Aquí debes prestar atención a



PELIGRO

Advierte de una situación peligrosa que puede causar graves heridas o la muerte.

- ▶ Medidas para evitar el peligro



Consejo

- ▶ Consejos de uso e información útil

2 Tu Skotti en datos

Descripción de los artículos		Barbacoa de gas del tipo Skotti
Dimen- siones	Parrilla (L x A)	30,4 x 21 cm
	Montada (L x A x Al)	33,6 x 21,9 x 17,6 cm
	Bolsa embalada (L x A x Al)	45 x 30 x 3,5 cm
Potencia		2,3 ... 2,5 kW 172 ... 187 g/h
Peso sin cartucho de gas		3 kg
Cartucho de gas permitido		Cartucho atornillado con rosca 7/16 x 28 UNEF (mezcla de gases butano / propano)
Material		1 mm de acero inoxidable la estructura de la barbacoa, 3 mm de acero inoxidable en la parrilla, bolsa de lona

Diámetro de la boquilla: 0,3 mm

3 Para tu seguridad – lo que debes saber

3.1 Para esto puedes usar Skotti

- Utiliza Skotti sólo para uso privado.
- Utiliza Skotti únicamente al aire libre.
- Utiliza Skotti como barbacoa de gas únicamente con una mezcla de butano / propano común según EN 417.
El cartucho de gas cerrable debe disponer de una rosca adecuada a tu regulador (rosca 7/16 x 28 UNEF).
- Utiliza sólo cartuchos atornillados autorizados de un máximo de 500 g.
- La conexión de otros recipientes de gas o mezclas de gas puede ser muy peligrosa.
- Utiliza Skotti alternativamente con carbón de barbacoa o madera.

3.2 Lo que no puedes hacer con Skotti

- **No** utilices Skotti para uso industrial.
- **Nunca** utilices Skotti con gas natural.
- Mientras que utilizas Skotti **no** debes soltar o desmontar el regulador de gas (🔧) u otros componentes.
- No introduzcas o montes Skotti **nunca** en un recinto cerrado.
Debe garantizarse siempre que la circulación de aire está completamente libre. De lo contrario se puede ocasionar una explosión o un incendio que pueden causar heridas graves o incluso mortales o graves daños materiales.
- **Nunca** modifiques o repares el Skotti.
Puede resultar peligroso y la garantía pierde su vigencia.
Deja que sean profesionales los que reparen el Skotti; nuestra dirección la encontrarás en el capítulo «1 Introducción».

3.3 Peligros por superficies calientes

- No toque el Skotti durante su uso ni inmediatamente después de utilizarlo. Skotti y todos sus componentes pueden estar muy calientes.
- Skotti debe supervisarse tras su utilización – hasta que la parrilla se haya enfriado. En verano dura aprox. 20 minutos.
De lo contrario pueden ocasionarse accidentes, quemaduras o incendios.

3.4 Peligros para los niños

- Skotti **no** debe ser utilizado por niños.
- Mantenga a los niños alejados del Skotti, también durante el enfriamiento una vez que ha sido utilizado.

3.5 Peligros por gas

- Presta atención a las advertencias del cartucho de gas.
- **Nunca** guardes los cartuchos de gas cerca del Skotti.
- Transporta y almacena los cartuchos de gas siempre con cuidado. Un cartucho aparentemente vacío puede contener también gas.
- **Nunca** utilices Skotti cuando el suministro de gas o las juntas están defectuosas o tienen fallos.
- Busca fugas de gas con una solución de agua y jabón, por ej. con un spray.
Rocía con él los componentes correspondientes y abre el regulador de gas. En puntos no estancos aparecen pequeñas burbujas.
Nunca utilices una llama para buscar fugas de gas. Puede generarse una llamarada o una explosión.
- **Nunca** dañes el cartucho de gas. Puede causarse una explosión.
- Haga que sus proveedores de gas comprueben los cartuchos abollados u oxidados antes de su uso.
- Si las temperaturas son bajas, el gas licuado no puede transformarse con facilidad. Es decir: Se quema peor. En invierno te recomendamos por eso que utilices un gas especial o power gas.



Posibilidad de peligro de explosión, fuego o heridas mortales por el gas.

- ▶ Tan pronto como huela a gas:
Gira de inmediato el regulador de gas a la derecha (↻).
Separa el tubo del cartucho de gas.
Apaga inmediatamente las llamas, cigarrillos, etc.
- ▶ En caso de que continúes percibiendo un olor a gas:
Aléjate del Skotti o el cartucho de gas.
Informa al proveedor de gas y / a los bomberos.

3.6 Peligros por fuego

- **Nunca** utilices Skotti sin supervisión.
- **Nunca** utilices Skotti sobre una superficie inflamable como un paño.
- Al hacer una barbacoa mantén las distancias de seguridad de posibles áreas de peligro como materiales inflamables: en principio mín. 10 metros.
- No coloques componentes inflamables sobre Skotti si este está en uso o aún está caliente.



Posibilidad de peligro de muerte por incendio de grasa.

- ▶ En caso de que se incendie la grasa:
Mantén la calma.
Si es posible detén la alimentación de gas (↻).
- ▶ Utiliza un extintor especial, arena, bicarbonato o levadura en polvo para apagarlo.
- ▶ No intentes **nunca** apagar un incendio de grasa con agua o harina.
La probabilidad de una llamarada incontrolable o una explosión es extremadamente alta.
- ▶ Desplázate junto con los demás a un lugar seguro.
- ▶ Ponte en contacto con los bomberos en el 112 en cualquier lugar de la UE a través de la red de telefonía fija y móvil.
Asegura el área de peligro hasta que lleguen los bomberos sin exponerte ni a tí ni a los demás al peligro.

4 Todo lo que incluye tu Skotti

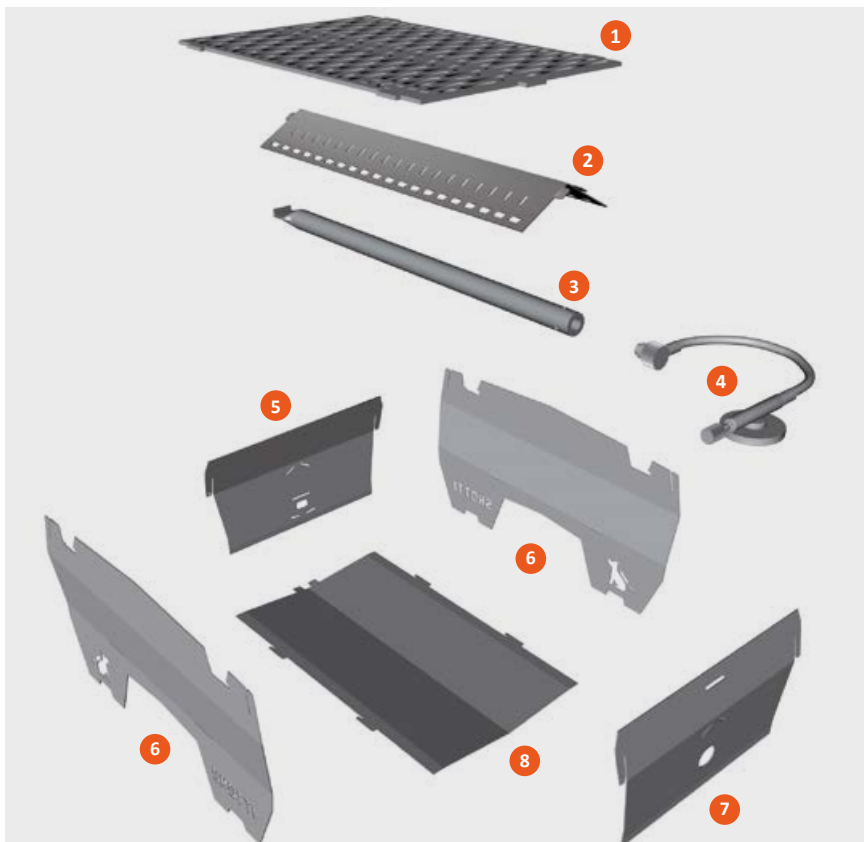


Imagen 1 Todo lo que incluye tu Skotti

Pos.	descripción
1	1 x parrilla
2	1 x placa radiante
3	1 x tubo de combustión
4	1 x tubería de gas con regulador atornillado
5	1 x pie con agujero de control de llamas y encendido en forma de panel.
6	2 x piezas laterales largas con logotipo y pies de apoyo
7	1 x pieza cabezal con agujero circular
8	1 x base

5 Así montas tu Skotti

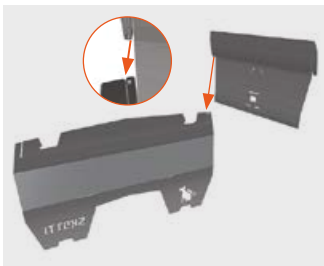
5.1 ¿Dónde deberías montar tu Skotti?

Presta atención a los siguientes puntos al elegir la ubicación de la barbacoa:

- Skotti y todos sus componentes pueden estar muy calientes, por lo que no puedes moverlo. Antes de encenderlo piensa si el lugar cumple con los requisitos de seguridad.
- Disponlo sobre una superficie recta y estable y presta atención a que Skotti cuente con al menos 5 cm. de superficie libre con respecto al suelo. Si no, el gas que sale y que no se ha quemado, no puede salir por abajo. Eso puede provocar una explosión.
- Si Skotti se hunde en arena, hielo, o está inclinado, utiliza los cantos de las superficies para colocar ahí un trozo de madera o una piedra estable para fijarlo al derecho.
- Presta atención siempre al manual de montaje: En caso de un montaje incorrecto pueden producirse peligros no previstos para tí y los demás.

5.2 Montar Skotti

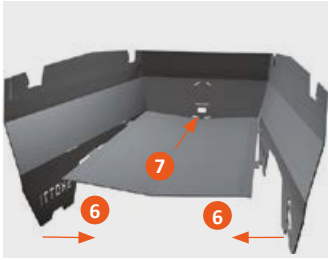
Para montar Skotti-Grill procede así:



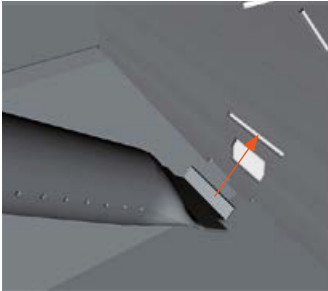
1. Inserta la pieza lateral larga (6) por el lado del logotipo de Skotti y el pie corto (5) en el agujero en forma de panal por la junta de conexión. Ambos componentes están marcados en la junta de conexión con un pequeño triángulo.
2. Inserta el pie (5) y la segunda pieza lateral larga (6) a la junta de conexión estrecha por el lado de símbolo de Skotti.



3. Coloca la base (8) abombada hacia abajo entre las tres piezas montadas. El borde liso debe estar delante y los ganchos y las lengüetas a la altura de las ranuras.
4. Inserta primero los ganchos en las ranuras de las piezas laterales (6).
5. Inserta las lengüetas en las ranuras del pie (5).



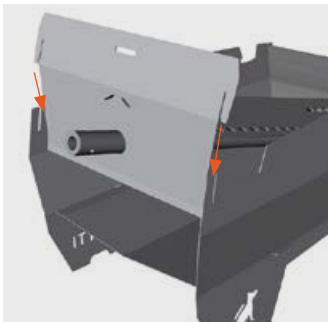
6. Desplaza la base (8) lo más cerca posible del pie (5) para que los ganchos puedan fijarse lateralmente y las lengüetas delanteras de la base se deslicen en las ranuras adecuadas del pie.
7. Guía el tubo de combustión (3) con la parte aplastada en el ángulo abrupto y con la lengüeta hacia arriba en la ranura de aproximadamente 3 cm sobre el agujero con forma de panal.



8. Coloca el tubo de combustión (3) sin aplicar fuerza sobre la base (8).
9. Coloca la placa radiante (2) como un techo sobre el tubo de combustión (3).
10. Inserta las lengüetas de la parte agujereada en las dos ranuras oblicuas del pie (5).



11. Coloca la placa radiante (2) sobre la base (8).
12. Coge la pieza cabezal suelta (7) con un agujero circular e insértala en el extremo redondo del tubo de combustión (3). El lado abombado debe indicar hacia el interior.
13. Eleva la pieza cabezal (7) hacia arriba e inserta las lengüetas de la placa radiante (2) en las dos ranuras oblicuas de esta.



14. Coloca las juntas de conexión de la pieza cabezal (7) directamente sobre las de las piezas laterales (6) y presiónala hacia abajo.
- ✓ Así se forma una canasta para barbacoa de lados idénticos.



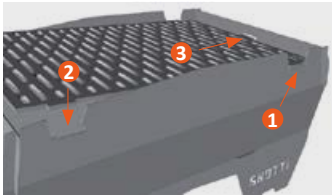
Consejo

- En www.skotti-grill.eu encontrarás el vídeo para ello.



5.3 Colocar la parrilla

Para colocar la parrilla procede como se indica a continuación:



1. Dispón Skotti frente a tí de tal manera que el extremo redondo del tubo de combustión (3) indique a la derecha.
2. Coge la parrilla (1) de manera que el logotipo de Skotti quede en la parte inferior derecha.



3. Dispón la parrilla (1) primero en las hendiduras previstas para ello del lado derecho.
 4. Deja que la parrilla (1) se deslice a las hendiduras de la izquierda.
 5. Empuja la parrilla (1) por las lengüetas en las hendiduras ligeramente a la derecha.
- ✓ Cuando encajen de forma sonora estará la barbacoa trabada y estable.

5.4 Hacer una barbacoa con carbón o madera



Posibilidad de peligro por un uso incorrecto.

- ▶ No utilices **nunca** el tubo de combustión para encender carbón o madera.
- ▶ **Nunca** coloques el Skotti en la bolsa de transporte si asas a la parrilla con carbón o madera – las temperaturas son mayores que con gas.

Para utilizar Skotti con carbón o madera procede de la siguiente forma:

1. Retira el tubo de combustión (3) junto con la placa radiante (2) antes de asar con carbón o madera.
 2. Coloca la parrilla (1) sólo para asar con una llama pequeña en Skotti.
- ✓ Ahora puedes utilizar Skotti con carbón o madera.



Consejo

- ▶ Si es posible, para proteger el medio ambiente, te recomendamos: utilizar Skotti mejor sólo con gas.

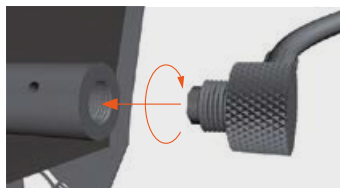
5.5 Conectar gas



Posibilidad de peligro de muerte por un uso incorrecto de los cartuchos de gas.

- ▶ Utiliza Skotti como grill de gas únicamente con una mezcla de butano / propano común según EN 417 con un peso neto máximo de 500 gramos.
- ▶ El cartucho de gas cerrable debe disponer de una rosca adecuada a tu regulador (rosca 7/16 x 28 UNEF).
- ▶ Asegúrate, antes de llevar a cabo la conexión, de que las juntas entre Skotti y el cartucho de gas están disponibles y en perfecto estado. No utilices **nunca** Skotti con juntas defectuosas o gastadas.
- ▶ Conecta cartuchos de gas sólo al aire libre y a una distancia de seguridad de la fuente de ignición.
- ▶ Evita torsionar en exceso el tubo de gas.

Para conectar el gas procede como se indica a continuación:



1. Gira el extremo del difusor de gas en el sentido de las agujas del reloj y con cuidado hacia el extremo del tubo de combustión de Skotti. El extremo debería fijarse con firmeza sin aplicar demasiada fuerza.



2. Cierra la llave del gas con un giro firme hacia la derecha (↻) antes de conectar el cartucho de gas.
 3. Gira el cartucho de gas al regulador y **no** al contrario.
- ✓ El gas está conectado.

5.6 Cambiar el cartucho de gas



Posibilidad de peligro de muerte por un uso incorrecto de los cartuchos de gas.

- ▶ Comprueba **antes** de soltar el cartucho de gas que el quemador está apagado.
- ▶ Comprueba **antes** del cambio del cartucho de gas que está vacío, p. ej. agitándolo, para escuchar el movimiento del líquido.
- ▶ Cambia el cartucho de gas **solo** al aire libre y a una distancia segura de la fuente de ignición y otras personas.
- ▶ Evita una torsión excesiva del tubo de gas.

Para cambiar el cartucho de gas procede así:



1. Cierra la llave del gas con un giro firme hacia la derecha (↻) antes de soltar el cartucho de gas.
2. Gira el cartucho de gas desde el regulador y **no** al contrario.

➔ El cartucho de gas se ha retirado.



3. Asegúrate, antes de llevar a cabo la conexión, de que las juntas entre Skotti y el cartucho de gas están disponibles y en perfecto estado. No utilices **nunca** Skotti con juntas defectuosas o gastadas.
 4. Gira el nuevo cartucho de gas en el regulador y **no** al contrario.
- ✓ El cartucho de gas se ha cambiado.

6 Así utilizas tu Skotti

6.1 Comprobar antes de encenderlo

Para llevar a cabo comprobaciones de seguridad antes de cada encendido procede así:

1. Comprueba que el tubo de combustión **no** está obturado. Libera la obturación antes de utilizar Skotti.
 2. Comprueba que las juntas de gas y el tubo están bien.
 3. **No** enciendas Skotti durante una prueba de fuga.
 4. Para la prueba de fuga es ideal una solución de agua y jabón en un spray.
 5. Con él rocía el tubo de gas y las conexiones entre Skotti y el cartucho de gas.
 6. Abre el regulador de gas.
➔ Si hay puntos de fuga surgirán pequeñas burbujas.
 7. Si hay puntos de fuga, gira el regulador de gas hacia la derecha (🔴) y desatornilla el cartucho de gas.
No utilices Skotti.
 8. Antes llevar a cabo el encendido asegúrate de que todos los componentes se han mondado según las directrices.
 9. Antes llevar a cabo el encendido retira la grasa del Skotti que probablemente procede de asados anteriores. Los incendios de grasa son peligrosos y deben evitarse.
- ✓ Cuando todo funciona sin problemas puedes encender el Skotti.

6.2 Encendido



Posibilidad de peligro de muerte por un uso incorrecto y falta de atención.

- ▶ Skotti **no** debería exponerse a un viento fuerte si está en marcha. El agujero de control de llamas y el encendido deberían siempre estar protegidos del viento.
- ▶ Al realizar el encendido cuida de tí y de tu ropa. Durante el precalentamiento o al agitarse con fuerza, el Skotti y / o el cartucho de gas pueden sufrir una fuga y generar llamaradas. Por ejemplo, el pelo largo y suelto o la ropa podrían arder con facilidad.

Para encender Skotti-Grill procede así:

1. Gira el regulador de gas del cartucho ligeramente hacia la izquierda (↶) hasta que oigas como fluye el gas.
2. Enciende el gas en el tubo de combustión tras aprox. 1 - 2 segundos con un mechero o una cerilla por el agujero de control de llamas y encendido abombado del pie.



Posibilidad de peligro de explosión, fuego o heridas mortales por el gas.

- ▶ Si no puedes encender el gas en el tubo de combustión en 4 segundos detén el encendido, por ej. Por el viento, un mechero o cerillas defectuosas, etc.
 - ▶ Gira el regulador de gas a la derecha (↷).
 - ▶ Espera al menos 1 minuto para que el gas salga de la estructura de la barbacoa. De lo contrario existe un alto riesgo de explosión.
3. Controla, con el agujero de control de llamas y encendido **tras** cada intento de encendido, si el tubo de combustión ha prendido.
 4. Si se apagan las llamas gira rápidamente el regulador de gas hacia la derecha (↷).



Posibilidad de peligro de quemaduras por superficies calientes.

- ▶ Skotti está aún con toda probabilidad muy caliente. No toques ningún componente de Skotti al encenderlo.
5. Espera al menos 1 minuto antes de volver a encenderlo.
- ✓ ¡Que te diviertas con tu barbacoa!

6.3 Consejos para el uso de la barbacoa

Puedes colocar Skotti sobre la bolsa de transporte si lo utilizas con gas. Este puede recoger la grasa que se escapa y retirarla con facilidad.

Precalienta siempre un poco Skotti. Con Skotti esto sucede muy rápido. Sólo 2 minutos después ya puedes asar.

Skotti no tiene ningún reductor de presión de gas. Hemos renunciado conscientemente en su desarrollo.

La zona alrededor del agujero de control de llamas y encendido a menudo está un poco menos caliente. De esta forma puedes mantener caliente tu comida o colocar ahí cualquier cosa que necesite menos calor.

Dependiendo del viento y las condiciones climáticas esta zona puede estar algo más caliente o fría. Simplemente compruébalo.

En caso de temperaturas por debajo de 10 °C utiliza gas de invierno o power gas. Este gas puede circular con temperaturas más bajas gracias al diseño del cartucho y la mezcla del gas.

7 Si no lo consigues

El gas en el tubo de combustión no se enciende

- Evita el efecto directo del viento.
- Utiliza un mechero o cerillas que funcionen.
- Comprueba, tras girar el regulador, que aún hay gas en el cartucho.

La distribución del calor no es uniforme

- Dispón Skotti protegido contra el viento.

Skotti no despliega el calor habitual

- Si la temperatura es inferior a 10 °C utiliza gas de invierno o power gas (ofertado por determinados fabricantes).

Las llamas amarillas sobresalen bajo la placa radiante

- Reduce el gas (gira el regulador de gas un poco hacia la derecha).

Hay llamaradas

- **Nunca** coloques papel de aluminio en Skotti.
- Probablemente está sucia la cámara de la barbacoa. Límpiala.

8 Así guardas tu Skotti otra vez

Tan pronto como Skotti se enfríe puedes volver a guardar fácilmente todos los componentes ahorrando espacio en la bolsa lavable.

Para desmontar Skotti procede así:

1. Asegúrate de que el regulador de gas está girado hacia la derecha (🔴) y los componentes ya no están calientes.
2. Retira el cartucho de gas del regulador.
3. Retira el extremo del difusor de gas en sentido contrario a las agujas del reloj del extremo circular del tubo de combustión (3) de Skotti.
4. Colócate frente a Skotti de tal manera que el extremo redondo del tubo de combustión (3) indique a la derecha.
5. Levanta con tu dedo índice las lengüetas de la parrilla (1) que se encuentran en las hendiduras de la izquierda.
6. Presiona la parrilla (1) ligeramente hacia la izquierda y levántala al mismo tiempo.
➔ La parrilla está libre.
7. Eleva la pieza cabezal (7) con el extremo circular del tubo de combustión (3) hacia arriba y retírala de la placa radiante (2) y el tubo de combustión.
8. Extrae la placa radiante (2) de la ranura del pie (5).
9. Levanta el tubo de combustión (3) por el extremo circular un poco y extrae el extremo aplastado en un ángulo abrupto sin aplicar fuerza desde la ranura del pie (5).
10. Extrae la placa radiante (8) del pie (5) y las piezas laterales (6) y colócala con la parte sucia sobre la parrilla (1).
11. Extrae la base (8) de ambos laterales largos (6) y del pie (5).
12. Retira las piezas laterales largas (6) del pie (5).
✓ Skotti está desmontado.



Consejo

- ▶ Te recomendamos colocar los componentes en la bolsa Skotti de la siguiente manera:
Rejilla / base (encima como tejado) / 2 piezas laterales / pieza cabezal y pie / placa radiante.

9 Así cuidas tu Skotti

Limpieza de tu Skotti

Puedes colocar todos los componentes de Skotti, salvo el tubo de combustión y el de gas con el difusor y el regulador de gas, en el lavavajillas. Por supuesto, la bolsa Skotti también.

Así resulta divertida la limpieza y exige muy poco tiempo.

- Comprueba, antes de realizar la limpieza, si los detergentes son adecuados para superficies de acero inoxidable. De lo contrario se pueden producir arañazos.
- Si hay quemaduras muy fuertes no basta con el lavado en el lavavajillas. Deja estos componentes en remojo primero.
- Para que Skotti vuelva a estar limpio te recomendamos esponjas de lana de acero para superficies de acero inoxidable u otros limpiadores para barbacoa u horno. Estos sueltan con poca fuerza y a un precio reducido lo requemado y Skotti vuelve a relucir con un nuevo brillo.
- **No** des de sí la válvula al limpiar los difusores o el extremo circular del tubo de combustión.
- Limpia el tubo de combustión sólo cuando el tubo de gas esté desmontado, ya que si no el difusor de gas se puede obturar.
- Si los agujeros de los difusores del tubo de combustión se tapan con el tiempo, cepíllalos con un cepillo de cobre y agita el tubo con la abertura hacia abajo.

Mantenimiento de tu Skotti

Cada 3 meses debes asegurarte de que tu Skotti está en perfecto estado:

- Comprueba el tubo de combustión por dentro y límpialo en caso de suciedad o taponamiento.
- Comprueba el tubo de gas y reemplázalo en caso de daños o falta de estanqueidad.
- Comprueba las juntas y reemplázalas en caso de daños o de desgaste.

10 Nuestra garantía para tu Skotti

En Vennskap te concedemos para tu Skotti dos años de garantía por todos tus componentes a partir de la fecha de compra. Esto es válido para:

- el tubo de gas con difusor y regulador
- tubo de combustión
- bolsa Skotti

Como estamos más que satisfechos de nuestro artículo ampliamos aún más nuestra garantía. Te concedemos:

- 5 años de garantía para la estructura Skotti y la parrilla

Nuestra garantía sólo es válida cuando Skotti se monta, se utiliza y mantiene según este manual de instrucciones y tras determinar que el artículo o sus piezas por separado realmente están defectuosas. Reparamos o sustituimos sin coste alguno el artículo completo o las piezas defectuosas. En caso de reclamación ponte siempre en contacto con nosotros directamente.

Para una reclamación debes demostrar la fecha de compra (es decir: guarde la factura) y añadir una descripción del fallo / problema por escrito. Si te pedimos que nos envíes las piezas defectuosas debes asumir los costes del envío. Nosotros te enviaremos las piezas reparadas o reemplazadas y asumimos los costes de envío.

En nuestra página web encontrarás más información:

www.skotti-grill.eu



11 Residuos y reciclaje

Retira los cartuchos de gas usados, los líquidos que surjan durante la limpieza y el mismo Skotti teniendo en cuenta nuestro medio ambiente de acuerdo con la normativa de eliminación de residuos y medioambiental.

La información para ello te la puede facilitar el proveedor de gas y la autoridad local.

Contenu

1	Introduction	2
1.1	Voici comment nous vous expliquons votre Skotti	2
1.2	Faites attention ici.....	3
2	Données de votre Skotti.....	3
3	Pour votre sécurité - vous devez savoir cela	4
3.1	Vous pouvez utiliser Skotti pour cela	4
3.2	Vous ne pouvez pas faire cela avec Skotti	4
3.3	Risques liés aux surfaces chaudes.....	5
3.4	Risques pour les enfants	5
3.5	Risques liés au gaz	5
3.6	Risques liés à un incendie	6
4	Tout cela fait partie de votre Skotti	7
5	Voici comment monter votre Skotti.....	8
5.1	Où devez-vous monter votre Skotti ?.....	8
5.2	Monter Skotti	8
5.3	Poser la grille de cuisson.....	10
5.4	Faire un barbecue au charbon de bois ou au bois	10
5.5	Raccorder le gaz	11
5.6	Remplacer la cartouche de gaz	12
6	Voici comment vous utilisez votre Skotti	13
6.1	Vérifier avant d'allumer	13
6.2	Allumage	14
6.3	Conseils pour le barbecue.....	15
7	Quand les choses ne vont pas comme on le souhaite	15
8	Voici comment ranger votre Skotti	16
9	Voici comment vous entretenez votre Skotti	17
10	Notre garantie pour votre Skotti	18
11	Élimination et recyclage	18

1 Introduction

Ce mode d'emploi permet une manipulation sûre et efficace de Skotti. Il contient également des notices importantes pour l'entretien de votre Skotti.

Important

Lisez attentivement ce mode d'emploi pour vous familiariser avec Skotti avant de le raccorder à la cartouche ou à la bouteille de gaz. Conservez le mode d'emploi afin de pouvoir le relire ou le transmettre à d'autres utilisateurs.

Fabricant

Vennskap GmbH & Co.KG
In der Loh 36 c
40668 Meerbusch
+49 (0) 2150-7076910
www.skotti-grill.eu



1.1 Voici comment nous vous expliquons votre Skotti

Si vous devez faire quelque chose

Pour effectuer une action, procédez comme suit :

1. Faites ceci.
2. Faites cela.
➔ Ce résultat intermédiaire en est la conséquence.
3. Faites ça.
✓ Vous avez effectué l'action.

Les énumérations sont représentées comme suit

- Énumération de 1^{er} ordre

1.2 Faites attention ici



DANGER

Indique une situation dangereuse qui entraîne des blessures corporelles graves ou la mort.

- ▶ Mesures pour éviter le danger



Conseil

- ▶ Conseils d'utilisation et informations utiles

2 Données de votre Skotti

Désignation de l'appareil		Barbecue à gaz mobile de type Skotti
Dimen- sions	Grille de cuisson (L x l)	30,4 x 21 cm
	Monté (L x l x H)	33,6 x 21,9 x 17,6 cm
	Emballé dans le sac (L x l x H)	45 x 30 x 3,5 cm
Puissance		2,3 ... 2,5 kW 172 ... 187 g/h
Poids sans cartouche de gaz		3 kg
Cartouche de gaz autorisée		EN 417 cartouche à visser avec filetage UNEF 7/16 x 28 (mélange de gaz butane / propane)
Matériel		1 mm d'acier inoxydable pour le corps du barbecue, 3 mm d'acier inoxydable pour la grille de cuisson, pochette de bêche

Diamètre de la buse: 0,3 mm

3 Pour votre sécurité - vous devez savoir cela

3.1 Vous pouvez utiliser Skotti pour cela

- N'utilisez Skotti que pour des barbecues privés.
- Utilisez Skotti exclusivement à l'extérieur.
- Utilisez Skotti comme barbecue à gaz uniquement avec un mélange de gaz propane / butane courant selon EN 417.
La cartouche de gaz refermable doit disposer d'un filetage adapté à votre régulateur de gaz (filetage UNEF 7/16 x 28).
- N'utilisez que des cartouches à visser admises de 500 g max.
- Il peut être très dangereux de raccorder d'autres contenants de gaz ou d'autres mélanges de gaz.
- Utilisez Skotti alternativement avec du charbon de bois ou du bois.

3.2 Vous ne pouvez pas faire cela avec Skotti

- N'utilisez **pas** Skotti pour des barbecues commerciaux.
- N'utilisez **jamais** Skotti avec du gaz naturel.
- Pendant l'utilisation de Skotti, vous ne devez **pas** desserrer ou démonter le régulateur de gaz (🔧) ou toute autre pièce.
- N'insérez ou n'installez Skotti **jamais** dans une construction.
Un échange d'air libre doit toujours être garanti.
Dans d'autres cas, un incendie ou une explosion peut être provoqué, entraînant des blessures graves, voire mortelles, et des dommages matériels importants.
- N'apportez **jamais** de modifications ou de réparations au Skotti.
Cela peut provoquer des dangers et annuler la garantie.
Faites toujours réparer Skotti par des professionnels ; vous trouvez notre adresse dans le chapitre « 1 Introduction ».

3.3 Risques liés aux surfaces chaudes

- Ne touchez pas Skotti, que ce soit pendant l'utilisation ou directement après le barbecue. Skotti ainsi que toutes ses pièces détachées peuvent devenir très chaudes.
- Skotti doit également être surveillés après le barbecue – jusqu'à ce qu'il ait refroidi. En été, cela prend env. 20 minutes. Dans le cas contraire, des accidents, des brûlures ou un incendie peuvent se produire.

3.4 Risques pour les enfants

- Skotti ne doit **pas** être utilisé par des enfants.
- Tenez les enfants à distance du Skotti, même pendant le refroidissement après le barbecue.

3.5 Risques liés au gaz

- Suivez les notices figurant sur la cartouche de gaz.
- Ne stockez **jamais** les cartouches de gaz à proximité du Skotti.
- Transportez et stockez les cartouches de gaz toujours avec précaution. Même une cartouche de gaz apparemment vide peut encore contenir du gaz.
- N'utilisez **jamais** Skotti si l'alimentation en gaz ou les joints sont défectueux ou déficients.
- Cherchez les fuites de gaz uniquement avec une solution d'eau savonneuse, par ex. dans un vaporisateur. Vaporisez les pièces correspondantes et ouvrez le régulateur de gaz. De petites bulles émergent aux points de fuite. N'utilisez **jamais** de flamme pour chercher les fuites de gaz. Cela peut provoquer un jet de flamme ou une explosion.
- N'endommagez **jamais** la cartouche de gaz. Cela peut provoquer une explosion.
- Faites vérifier les cartouches de gaz cabossées ou rouillées par votre fournisseur de gaz avant utilisation.
- À basse température, le gaz liquide ne peut plus se transformer aussi bien. C'est-à-dire : Il brûle moins bien. En hiver, nous vous recommandons donc d'utiliser du gaz spécial d'hiver ou du Powergas (gaz propane).



Danger d'explosion, incendie et blessures mortelles possibles dus au gaz.

- ▶ Dès qu'il y a présence d'une odeur de gaz :
Fermez immédiatement le régulateur de gaz vers la droite (↻).
Séparez le tuyau flexible de la cartouche de gaz.
Éteignez immédiatement les flammes nues, les cigarettes, etc.
- ▶ Si vous continuez à percevoir une odeur de gaz :
Gardez une distance du Skotti et de la cartouche de gaz.
Informez le fournisseur de gaz et / ou les pompiers.

3.6 Risques liés à un incendie

- N'utilisez **jamais** Skotti sans surveillance.
- N'utilisez **jamais** Skotti sur un support inflammable comme un drap.
- Lorsque vous faites un barbecue, gardez une distance de sécurité par rapport aux zones de danger potentiel telles que les substances hautement inflammables : en principe au moins 10 mètres
- Ne placez jamais de pièces inflammables sur Skotti lors de l'utilisation de ce dernier ou lorsqu'il est encore chaud.



Danger de mort possible dû au feu de graisse.

- ▶ En cas de feu de graisse :
Restez calme.
Si possible, éteignez l'alimentation en gaz (↻).
- ▶ Afin de pouvoir éteindre l'incendie, utilisez un extincteur spécial, du sable, du bicarbonate de soude ou de la levure chimique.
- ▶ N'essayez **jamais** d'éteindre un feu de graisse avec de l'eau ou de la farine.
La probabilité d'un jet de flamme ou d'une explosion incontrôlable est extrêmement élevée.
- ▶ Mettez vous et les autres à l'abri.
- ▶ Appelez les pompiers au numéro européen « 112 » depuis les fixes et les portables.
Sécurisez la zone de danger jusqu'à l'arrivée des pompiers sans vous mettre vous ou les autres en danger.

4 Tout cela fait partie de votre Skotti



Image 1 *Tout cela fait partie de votre Skotti*

Pos.	Désignation
1	1 x grille de cuisson
2	1 x plaque de radiation
3	1 x tube de brûleur
4	1 x tuyau flexible à gaz avec régulateur à visser
5	1 x partie de pied avec ouverture de contrôle d'allumage et de la flamme en forme de nid d'abeilles
6	2 x pièces latérales longues avec le logo et les pieds
7	1 x partie de tête avec ouverture ronde
8	1 x partie de base

5 Voici comment monter votre Skotti

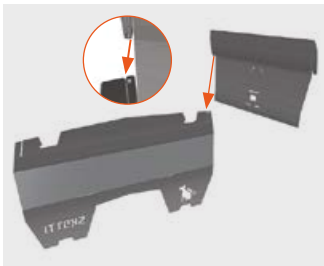
5.1 Où devez-vous monter votre Skotti ?

Veillez tenir compte des points suivants lors du choix de l'emplacement du barbecue :

- Skotti et toutes ses pièces détachées peuvent devenir très chaudes, ce qui vous empêchera de le déplacer. Avant de l'allumer, vérifiez si l'emplacement du barbecue répond aux exigences de sécurité.
- Placez Skotti sur un support plan et stable, et notez que Skotti doit disposer d'au moins 5 cm d'espace par rapport au sol. Sinon, le gaz qui ne s'est pas enflammé ne peut pas s'échapper vers le bas. Cela peut provoquer une explosion.
- Si Skotti s'enfonce ou est incliné sur du sable, de la neige, de la glace ou un support incliné, utilisez les rebords des pieds pour le rendre stable et droit à l'aide d'un morceau de bois ou une pierre.
- Suivez toujours les instructions de montage : Un montage incorrect du Skotti entraînera des dangers imprévisibles pour vous et pour les autres.

5.2 Monter Skotti

Pour monter le barbecue Skotti, procédez comme suit :



1. Insérez la pièce latérale longue (6) sur le côté portant le logo Skotti et la partie de pied courte (5) avec ouverture en forme de nid d'abeilles l'un dans l'autre au niveau de la fente de raccordement. Les deux pièces sont marquées d'un petit triangle au niveau de la fente de raccordement.
2. Insérez la partie du pied (5) et la deuxième pièce latérale longue (6) l'une dans l'autre au niveau de la fente de raccordement étroite sur le côté avec la signature Skotti.

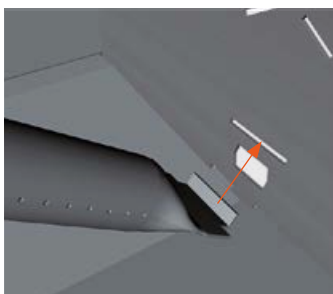


3. Placez la partie de base (8) avec la courbure vers le bas entre les trois pièces assemblées. Le rebord lisse doit être à l'avant, les crochets et les languettes au niveau des fentes.
4. Insérez d'abord les crochets dans les fentes des pièces latérales (6).
5. Insérez les languettes dans les fentes de la partie de pied (5).



6. Poussez la partie de base (8) aussi proche de la partie de pied (5) afin que les crochets soient maintenus latéralement et que les deux languettes avant de la partie de base glissent dans les fentes appropriées de la partie de pied.

7. Insérez le tube de brûleur (3) avec le côté pressé à un angle aigu et avec la languette dirigée vers le haut dans la fente d'environ 3 cm de long au-dessus de l'ouverture en forme de nid d'abeilles.



8. Déposez le tube de brûleur (3) sur la partie de base (8) sans appliquer de force.

9. Placez la plaque de radiation (2) comme un toit sur le tube de brûleur (3).

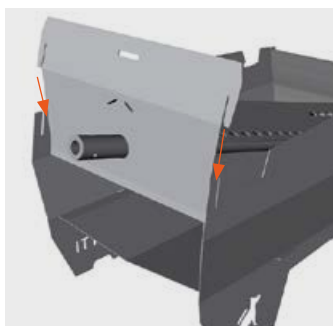
10. Insérez les languettes du côté perforé dans les deux fentes inclinées de la partie de pied (5).



11. Déposez également la plaque de radiation (2) sur la partie de base (8).

12. Prenez la partie de tête détachée (7) avec l'ouverture ronde et insérez-la sur l'extrémité ronde du tube de brûleur (3). Le côté courbé doit être orienté vers l'intérieur.

13. Soulevez la partie de tête (7) vers le haut et insérez les deux languettes de la plaque de radiation (2) dans les deux fentes inclinées de la partie de tête.



14. Placez les fentes de raccordement de la partie de tête (7) directement au-dessus de celles des pièces latérales (6) et appuyez la partie de tête vers le bas.

✓ Ainsi, l'on obtient un panier de barbecue à mêmes côtés.



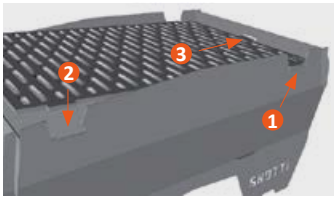
Conseil

► Vous trouvez la vidéo appropriée sur www.skotti-grill.eu.



5.3 Poser la grille de cuisson

Pour poser la grille de cuisson, procédez comme suit :



1. Placez Skotti devant vous de manière à ce que l'extrémité ronde du tube de brûleur (3) soit orientée vers la droite.
 2. Prenez la grille de cuisson (1) de manière à ce que le logo Skotti se trouve en bas à droite.
 3. Posez d'abord la grille de cuisson (1) sur le côté droit dans les évidements prévus à cet effet.
 4. Laissez la grille de cuisson (1) glisser dans les évidements à gauche.
 5. Poussez la grille de cuisson (1) légèrement vers la droite à l'aide des languettes dans les évidements.
- ✓ Après un enclenchement audible, le barbecue est verrouillé et stable.

5.4 Faire un barbecue au charbon de bois ou au bois



Danger d'incendie possible dû à une mauvaise utilisation.

- ▶ N'utilisez **jamais** le tube de brûleur pour allumer du charbon de bois ou du bois.
- ▶ Ne placez **jamais** Skotti sur le sac de transport lorsque vous faites un barbecue au charbon de bois ou au bois – cela crée des températures plus élevées que lorsque vous faites des barbecues au gaz.

Pour utiliser Skotti avec du charbon de bois ou du bois, procédez comme suit :

1. Retirez le tube de brûleur (3) ainsi que la plaque de radiation (2) avant de faire un barbecue avec du charbon de bois ou du bois.
 2. Ne placez la grille de cuisson (1) sur Skotti que pour faire un barbecue à feu doux.
- ✓ Maintenant, vous pouvez utiliser Skotti avec du charbon de bois ou du bois.



Conseil

- ▶ Même si cela est possible – pour protéger l'environnement, nous vous recommandons : N'utilisez Skotti exclusivement avec du gaz.

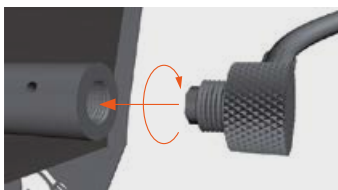
5.5 Raccorder le gaz



Danger de mort possible dû à une mauvaise utilisation des cartouches de gaz.

- ▶ Utilisez Skotti comme barbecue à gaz uniquement avec un mélange de gaz propane / butane courant selon EN 417 avec un poids de remplissage maximal de 500 grammes.
- ▶ La cartouche de gaz refermable doit disposer d'un filetage adapté à votre régulateur de gaz (filetage UNEF 7/16 x 28).
- ▶ Avant de raccorder, assurez-vous que les joints entre Skotti et la cartouche de gaz sont présents et en parfait état. N'utilisez **jamais** Skotti avec des joints défectueux ou usés.
- ▶ Ne raccordez les cartouches de gaz qu'à l'extérieur et à une distance sûre des sources d'inflammation.
- ▶ Évitez les contraintes de torsion sur le tuyau flexible à gaz.

Pour raccorder le gaz, procédez comme suit :



1. Tournez l'extrémité avec la buse à gaz dans le sens horaire et avec précaution sur l'extrémité du tube de brûleur rond de Skotti.
L'extrémité doit être fermement placée, sans utiliser beaucoup de force.



2. Fermez le robinet à gaz en le tournant fermement vers la droite (↻) avant de raccorder la cartouche de gaz.
 3. Vissez la cartouche de gaz sur le régulateur de gaz et **pas** l'inverse.
- ✓ Le gaz est raccordé.

5.6 Remplacer la cartouche de gaz



Danger de mort possible dû à une mauvaise utilisation des cartouches de gaz.

- ▶ **Avant de** desserrer la cartouche de gaz, vérifiez que le brûleur est éteint.
- ▶ **Avant de** remplacer la cartouche de gaz, vérifiez qu'elle est vide, par ex. en la secouant afin de rendre audible l'écoulement du liquide.
- ▶ Ne remplacez la cartouche de gaz **qu'**à l'extérieur et à une distance sûre des sources d'inflammation et des autres personnes.
- ▶ Évitez les contraintes de torsion sur le tuyau flexible à gaz.

Pour remplacer la cartouche de gaz, procédez comme suit :



1. Fermez le robinet à gaz en le tournant fermement vers la droite (↻) avant de desserrer la cartouche de gaz.
2. Dévissez la cartouche de gaz du régulateur de gaz et **pas** l'inverse.

➔ La cartouche de gaz est retirée.



3. Avant de raccorder, assurez-vous que les joints entre Skotti et la cartouche de gaz sont présents et en parfait état.
N'utilisez **jamais** Skotti avec des joints défectueux ou usés.
 4. Vissez la nouvelle cartouche de gaz sur le régulateur de gaz et **pas** l'inverse.
- ✓ La cartouche de gaz est remplacée.

6 Voici comment vous utilisez votre Skotti

6.1 Vérifier avant d'allumer

Pour effectuer les contrôles de sécurité avant chaque allumage, procédez comme suit :

1. Vérifiez que le tube de brûleur ne soit **pas** obstrué.
Déboucher l'obstruction avant d'utiliser Skotti.
 2. Vérifiez que les joints et le tuyau flexible à gaz sont en bon état.
 3. N'allumez **pas** Skotti pendant un test d'étanchéité.
 4. Une solution d'eau savonneuse dans un vaporisateur convient pour le test d'étanchéité.
 5. Vaporisez le tuyau flexible de gaz et les raccords entre Skotti et la cartouche de gaz.
 6. Ouvrez le régulateur de gaz.
➔ S'il y a présence de points de fuite, des petites bulles se forment.
 7. S'il y a présence de points de fuite, tournez le régulateur de gaz vers la droite (🔴) et dévissez la cartouche de gaz.
N'utilisez **pas** Skotti.
 8. Avant l'allumage, assurez-vous que toutes les pièces soient correctement montées.
 9. Avant l'allumage, enlevez la graisse de Skotti qui peut provenir d'une cuisson précédente. Les feux de graisse sont dangereux et doivent être évités.
- ✓ Si tout fonctionne parfaitement, vous pouvez allumer Skotti.

6.2 Allumage



Danger de mort possible dû à une mauvaise utilisation et à la négligence.

- ▶ Skotti ne doit **pas** être exposé à des vents trop forts au cours du service. L'ouverture de contrôle d'allumage et de la flamme doit toujours être orientée à l'abri du vent.
- ▶ Prenez soin de vous et de vos vêtements lors de l'allumage. Lors du préchauffage ou en secouant fortement Skotti et / ou la cartouche de gaz, le gaz peut s'échapper sous forme liquide et provoquer des jets de flamme. Par exemple, de longs cheveux volants ou des vêtements amples peuvent s'enflammer rapidement.

Pour allumer Skotti, procédez comme suit :

1. Ouvrez le régulateur de gaz sur la cartouche de gaz légèrement vers la gauche (↶) jusqu'à ce que vous entendez le débit de gaz.
2. Allumez le gaz dans le tube de brûleur après env. 1 - 2 secondes avec un briquet ou une allumette à travers l'ouverture de contrôle d'allumage et de la flamme en forme de nid d'abeilles située sur la partie de pied.



Danger d'explosion, incendie et blessures mortelles possibles dus au gaz.

- ▶ Si vous ne pouvez pas enflammer le gaz dans le tube de brûleur en 4 secondes, interrompt l'allumage, par ex. pour cause du vent, d'un briquet, d'une allumette défectueux, etc.
 - ▶ Fermez le régulateur de gaz vers la droite (↷).
 - ▶ Attendez au moins 1 minute – afin que le gaz puisse s'échapper du corps du barbecue. Dans le cas contraire, il y a un danger d'explosion aigu.
3. Vérifiez par l'ouverture de contrôle d'allumage et de la flamme **après** chaque tentative d'allumage si le gaz dans le tube de brûleur s'est enflammé.
 4. Lorsque la flamme s'éteint, éteignez immédiatement le régulateur de gaz vers la droite (↷).



Danger de brûlures possible dû à des surfaces chaudes.

- ▶ Skotti est probablement encore très chaud. Ne touchez aucune pièce de Skotti lors de l'allumage.
5. Attendez au moins 1 minute avant d'allumer à nouveau.
- ✓ Amusez-vous bien lors de votre barbecue.

6.3 Conseils pour le barbecue

Lors du service au gaz, vous pouvez placer Skotti sur le sac de transport. Cela permet de récupérer toute la graisse qui s'écoule et peut ensuite être facilement essuyée.

Préchauffez toujours un peu Skotti. Avec Skotti, cela est fait en un moindre temps. Déjà après 2 minutes, vous pouvez faire un super barbecue.

Skotti ne dispose pas d'un réducteur de pression de gaz. Nous avons délibérément évité cela au cours du développement.

La zone située au-dessus de l'ouverture de contrôle d'allumage et de la flamme est souvent un peu moins chaude. Ainsi, vous pouvez bien garder au chaud les aliments finis ou placer des aliments qui nécessitent moins de chaleur. En fonction du vent et des conditions météorologiques, cette zone peut être légèrement plus ou moins chaude. Essayez-le tout simplement.

Lors de températures moins de 10 °C, utilisez le gaz d'hiver ou le Power-gas (gaz propane). Ce dernier peut mieux s'écouler même à des températures plus basses grâce aux propriétés structurelles de la cartouche et du mélange de gaz.

7 Quand les choses ne vont pas comme on le souhaite

Le gaz dans le tube de brûleur ne peut pas s'enflammer

- Évitez l'exposition directe au vent.
- Utilisez un briquet ou une allumette en bon état de fonctionnement.
- Après avoir fermé le régulateur de gaz, vérifiez s'il reste du gaz dans la cartouche.

La distribution de la chaleur est inégale

- Installez Skotti à l'abri du vent.

Skotti ne développe pas la chaleur habituelle

- S'il fait moins de 10 °C, utilisez le gaz d'hiver ou le Powergas (gaz propane) (certains fabricants le proposent).

Des flammes jaunes jaillissent de sous la plaque de radiation

- Réduisez le gaz (fermez légèrement le régulateur de gaz vers la droite).

Il y a présence de jet de flamme

- Ne placez **jamais** de papier alu dans Skotti.
- Il est possible que la chambre du barbecue soit encrassée. Nettoyez-la.

8 Voici comment ranger votre Skotti

Dès que Skotti a refroidi, vous pouvez facilement ranger toutes les pièces dans le sac lavable pour économiser de la place.

Pour démonter Skotti, procédez comme suit :

1. Assurez-vous que le régulateur de gaz soit fermé vers la droite (🔴) et que les pièces ne sont plus chaudes.
 2. Dévissez la cartouche de gaz du régulateur de gaz.
 3. Tournez l'extrémité avec la buse à gaz dans le sens antihoraire de l'extrémité ronde du tube de brûleur (3) de Skotti.
 4. Placez-vous devant Skotti de manière à ce que l'extrémité ronde du tube de brûleur (3) soit orientée vers la droite.
 5. À l'aide de vos index, soulever les deux languettes de la grille de cuisson (1), qui se trouvent dans les évidements à gauche.
 6. Tirez légèrement la grille de cuisson (1) vers la gauche et en même temps, soulevez-la légèrement.
➔ Le barbecue est déverrouillé.
 7. Soulevez la partie de tête (7) avec l'extrémité ronde du tube de brûleur (3) vers le haut et détachez-la de la plaque de radiation (2) et du tube de brûleur.
 8. Retirez la plaque de radiation (2) des fentes de la partie de pied (5).
 9. Soulevez légèrement le tube de brûleur (3) au niveau de l'extrémité ronde et tirez l'extrémité pressée hors de la fente de la partie de pied (5) à un angle aigu et sans appliquer de force.
 10. Retirez la plaque de base (8) de la partie de pied (5) et des pièces latérales (6) et placez-la avec le côté sale sur la grille de cuisson (1).
 11. Retirez la partie de base (8) des deux pièces latérales longues (6) et de la partie de pied (5).
 12. Retirez les deux pièces latérales longues (6) de la partie de pied (5).
- ✓ Skotti est démonté.

Conseil

- ▶ Nous vous recommandons de remettre les pièces dans le sac Skotti comme suit :
Grille / partie de base (comme le toit au-dessus) / 2 pièces latérales / partie de tête et de pied / plaque de radiation.



9 Voici comment vous entretenez votre Skotti

Nettoyage de votre Skotti

Vous pouvez laver toutes les pièces de Skotti – sauf le tube de brûleur et le tuyau flexible à gaz avec la buse et le régulateur de gaz – dans le lave-vaisselle.

Même le sac Skotti bien sûr.

Cela rend le nettoyage plaisant et ne prend que peu de temps.

- Avant le nettoyage, vérifiez si les produits de nettoyage sont appropriés aux surfaces en acier inoxydable. Sinon, des égratignures peuvent se produire.
- Le nettoyage au lave-vaisselle n'est pas suffisant pour les aliments fortement brûlés. Trempez d'abord ces pièces dans l'eau de rinçage.
- Pour que Skotti redevienne à nouveau propre, nous vous recommandons d'utiliser des éponges savonnées en laine d'acier pour les surfaces en acier inoxydable ou d'autres nettoyeurs pour barbecues ou fours. Avec peu d'efforts et à un prix bas, elles éliminent même les saletés brûlées – et Skotti brille à nouveau d'une nouvelle splendeur.
- L'« ampleur » lors du nettoyage de la vanne ou du tube de brûleur ne comprend **pas** les buses de vanne ni l'extrémité ronde du tube de brûleur.
- Ne nettoyez le tube de brûleur que lorsque le tuyau flexible à gaz est dévissé, sinon la buse de gaz pourrait être obstruée.
- Si les orifices de buses du tube de brûleur se bouchent avec le temps, brossez-les doucement avec une brosse en cuivre et secouez le tube avec l'ouverture vers le bas.

Maintenance de votre Skotti

Tous les 3 mois vous devez prendre soin de votre Skotti afin qu'il reste dans un état optimal :

- Vérifiez l'intérieur du tube de brûleur et nettoyez-le en cas d'encrassement ou d'obstruction.
- Vérifiez le tuyau flexible à gaz et remplacez-le en cas d'endommagement ou de fuite.
- Vérifiez les joints et remplacez-les en cas d'endommagement ou d'usure.

10 Notre garantie pour votre Skotti

Chez Vennskap, nous vous offrons une garantie de deux ans sur toutes les pièces de votre Skotti à partir de la date d'achat. Cela s'applique à :

- Tuyau flexible à gaz avec buse à gaz et régulateur de gaz
- Tube de brûleur
- Sac Skotti

Mais comme nous sommes plus que convaincus de notre appareil, nous étendons même notre garantie. Nous vous donnons :

- 5 ans de garantie pour le corps du barbecue Skotti avec grille de cuisson

Notre garantie n'est valable que si Skotti est monté, utilisé et entretenu conformément à ce mode d'emploi et que nous déterminons, après notre inspection, que l'appareil ou les pièces détachées sont réellement défectives. Nous réparerons ou remplacerons alors gratuitement l'appareil entier ou les pièces détachées défectives. En cas de réclamation, veuillez toujours nous contacter directement.

Pour une réclamation, vous devez prouver la date d'achat (donc : veuillez conserver la facture !) et ajouter une description de l'erreur / du problème par écrit. Si nous vous demandons d'envoyer les pièces défectives, vous devrez prendre en charge les frais d'expédition. Nous vous renverrons alors les pièces réparées ou remplacées et, pour cela, nous prenons en charge les frais d'expédition.

Vous trouverez des informations complémentaires sur notre site Internet :

www.skotti-grill.eu



11 Élimination et recyclage

Éliminez les cartouches de gaz usées, les liquides produits lors du nettoyage et Skotti lui-même en respectant notre environnement, conformément aux réglementations locales en matière d'élimination et aux lois environnementales.

Votre fournisseur de gaz et les autorités locales peuvent vous conseiller à ce sujet.

Contenuto

1	Introduzione	2
1.1	Come viene spiegato il tuo Skotti.....	2
3.1	Qui devi fare attenzione.....	3
2	I dati del tuo Skotti	3
3	Da sapere per la tua sicurezza	4
3.1	Cosa puoi fare con Skotti.....	4
3.2	Cosa non devi fare con Skotti.....	4
3.3	Rischi collegati alle superfici calde.....	5
3.4	Rischi per i bambini.....	5
3.5	Rischi collegati al gas.....	5
3.6	Rischi collegati al fuoco.....	6
4	Questo è il tuo Skotti	7
5	Come si monta il tuo Skotti	8
5.1	Dove montare il tuo Skotti?.....	8
5.2	Montare Skotti	8
5.3	Applicare la griglia di cottura	10
5.4	Grigliare con carbonella o legna	10
5.5	Collegare il gas	11
5.6	Sostituire la cartuccia gas.....	12
6	Come utilizzare il tuo Skotti	13
6.1	Prima dell'accensione	13
6.2	Accensione.....	14
6.3	Consigli per grigliare	15
7	In caso di problemi	15
8	Smontare il tuo Skotti	16
9	Manutenzione del tuo Skotti	17
10	La nostra garanzia sul tuo Skotti	18
11	Smaltimento e riciclaggio	18

1 Introduzione

Queste istruzioni d'uso ti permettono di usare Skotti in modo efficiente e sicuro. Inoltre contengono note importanti per la cura del tuo Skotti.

Importante

Leggi attentamente queste istruzioni d'uso per conoscere il tuo Skotti prima di collegarlo alla cartuccia gas o alla bombola. Conserva le istruzioni d'uso per poterle rileggere o metterle a disposizione di un altro utente.

Costruttore

Vennskap GmbH & Co.KG
In der Loh 36 c
40668 Meerbusch
+49 (0) 2150-7076910
www.skotti-grill.eu



1.1 Come viene spiegato il tuo Skotti

Se devi fare qualcosa

Per eseguire un'operazione, procedi come segue:

1. Fai questo.
2. Fai quello.
➔ Questo è il risultato intermedio.
3. Fai quest'altro.
✓ Hai concluso l'operazione.

Le liste vengono rappresentate come segue

- 1ª posizione della lista

1.2 Qui devi fare attenzione



PERICOLO

Sottolinea una situazione pericolosa che può comportare ferite gravi o la morte.

- ▶ Attuare misure per evitare il pericolo



Consiglio

- ▶ Consigli sull'utilizzo e informazioni utili

2 I dati del tuo Skotti

Denominazione del dispositivo		Grill a gas mobile modello Skotti
Dimen- sioni	Griglia (L x P)	30,4 x 21 cm
	Montato (L X P x H)	33,6 x 21,9 x 17,6 cm
	Borsa riempita (L X P x H)	45 x 30 x 3,5 cm
Potenza		2,3 ... 2,5 kW 172 ... 187 g/h
Peso senza cartuccia gas		3 kg
Cartuccia gas ammessa		Cartuccia a vite EN 417 con filetto UNEF 7/16 x 28 (miscela gassosa di butano / propano)
Materiale		Corpo del grill in acciaio inossidabile 1 mm, griglia in acciaio inossidabile 3 mm, borsa di tela cerata

Diametro dell'ugello: 0,3 mm

3 Da sapere per la tua sicurezza

3.1 Cosa puoi fare con Skotti

- Utilizza Skotti solo per grigliate private.
- Utilizza Skotti soltanto all'aperto.
- Utilizza il grill a gas Skotti come solo con una miscela di propano / butano comunemente in commercio e conforme a EN 417. La cartuccia gas richiudibile deve avere un filetto adatto al tuo regolatore del gas (filetto UNEF 7/16 x 28).
- Utilizza solo cartucce ad avvitamento omologate con peso max. 500 g.
- Può essere molto pericolo collegare altri tipi di recipienti di gas o di miscele di gas.
- Utilizza Skotti alternativamente con carbonella o legno.

3.2 Cosa non devi fare con Skotti

- **Non** utilizzare Skotti per grigliate a scopo commerciale.
- Non utilizzare **mai** Skotti con il metano.
- Mentre utilizzi il tuo Skotti, il regolatore del gas (🔧) o le altre parti **non** devono essere allentati o smontati.
- Non inserire o montare **mai** Skotti in un'altra costruzione. Va sempre garantito il ricircolo d'aria. In caso contrario possono verificarsi incendi o esplosioni che comportano lesioni gravi o addirittura mortali o danni materiali ingenti.
- Non eseguire **mai** modifiche o riparazioni sul tuo Skotti. Potrebbero verificarsi pericoli e viene meno la garanzia. Lascia che siano dei tecnici professionisti a riparare Skotti; il nostro indirizzo è in indicato nel capitolo "1 Introduzione".

3.3 Rischi collegati alle superfici calde

- Non toccare mai Skotti durante il suo utilizzo o direttamente dopo aver grigliato. Skotti e tutte le sue parti possono scaldarsi molto.
- Skotti va tenuto sotto controllo anche dopo aver grigliato – fino a quando il grill non si sarà raffreddato. In estate ci voglio circa 20 minuti.
In caso contrario, possono verificarsi incidenti, ustioni o scottature.

3.4 Rischi per i bambini

- Skotti **non** può e deve essere utilizzato dai bambini.
- Tenere i bambini lontano dalla portata di Skotti, anche durante e dopo la grigliata.

3.5 Rischi collegati al gas

- Osservare le indicazioni riportate sulla cartuccia gas.
- Non tenere **mai** le cartucce gas nelle vicinanze di Skotti.
- Trasporta e immagazzina sempre con cautela le cartucce gas. Una cartuccia gas apparentemente vuota può ancora contenere gas.
- Non usare **mai** Skotti quando l'alimentazione del gas o le guarnizioni sono difettose o sbagliate.
- Cerca eventuali perdite di gas solo con una soluzione di acqua e sapone, ad es. in uno spruzzino. Spruzza il contenuto sul punto in questione e apri il regolatore del gas. Se c'è una perdita, si formano delle bolle sul punto in questione. Non usare **mai** una fiamma per cercare eventuali perdite di gas. Possono verificarsi fiammate o esplosioni.
- Non danneggiare **mai** la cartuccia gas. Possono verificarsi esplosioni.
- Lascia controllare dal tuo fornitore le cartucce gas ammaccate o arrugginite prima di usarle.
- Alle basse temperature, il gas liquido non si trasforma più molto bene. Questo significa: che brucia peggio. In inverno si consiglia quindi di utilizzare uno speciale gas invernale oppure Power Gas.



Pericolo di esplosioni, incendio e ferite mortali per gas.

- ▶ Non appena si sente odore di gas:
Chiudi subito il regolatore del gas girandolo verso destra (↻).
Stacca il flessibile dalla cartuccia gas.
Spegni subito le fiamme libere, le sigarette ecc.
- ▶ Se continui a sentire odore di gas:
Mantieniti a una certa distanza da Skotti o dalla cartuccia gas.
Informa il fornitore del gas e/o i vigili del fuoco.

3.6 Rischi collegati al fuoco

- Tieni Skotti **sempre** sotto controllo.
- Non usare **mai** Skotti su fondi incendiabili come ad es. un panno.
- Mentre grigli, mantieni una distanza di sicurezza dai possibili pericoli, come le stoffe facilmente infiammabili: sempre min. 10 metri.
- Non appoggiare mai oggetti incendiabili su Skotti mentre lo stai usando o quando è ancora caldo.



Possibile pericolo di morte per combustione del grasso.

- ▶ Se si verifica un incendio dovuto al grasso bruciato:
Mantieni la calma.
Spegni, se possibile, l'alimentazione del gas (↻).
- ▶ Utilizza un estintore speciale, sabbia, bicarbonato di sodio o lievito in polvere per estinguere il fuoco.
- ▶ Non tentare **mai** di spegnere un incendio causato dal grasso combusto con acqua o farina.
C'è un'alta probabilità che la fiammata si propaghi incontrollata o si verifichi un'esplosione.
- ▶ Metti te stesso e altri in salvo.
- ▶ Chiama con il cellulare o il telefono fisso i vigili del fuoco al numero europeo internazionale 112.
Metti in sicurezza il punto di pericolo fino all'arrivo dei vigili del fuoco. Non esporre te stesso o altri al pericolo.

4 Questo è il tuo Skotti



Figura 1 Questo è il tuo Skotti

Pos.	Denominazione
1	1 griglia di cottura
2	1 lamiera irradiante
3	1 tubo del bruciatore
4	1 flessibile del gas con regolatore ad avvitamento
5	1 lamiera finale con foro a nido d'ape per controllare accensione e fiamma
6	2 lamiere laterali lunghe con logo e piedini
7	1 lamiera di testata con foro tondo
8	1 lamiera di fondo

5 Come si monta il tuo Skotti

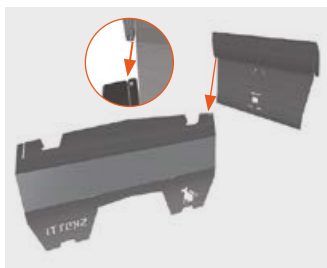
5.1 Dove montare il tuo Skotti?

Osserva i seguenti aspetti per scegliere il punto in cui grigliare:

- Skotti e tutti i suoi pezzi possono scaldarsi molto, quindi non potrai spostarlo. Prima di accenderlo, controlla bene se il punto in cui griglierai soddisfa i requisiti di sicurezza.
- Posa Skotti su un fondo dritto e stabile e ricorda che Skotti deve stare a min. 5 cm di distanza dal terreno. In caso contrario, il gas alimentato che non brucia non può fuoriuscire verso il basso. Il che può causare un'esplosione.
- Se Skotti sprofonda su sabbia, neve, ghiaccio o si trova su un fondo storto, usa i bordi delle superfici di appoggio per raddrizzarlo con un pezzo di legno o un sasso e renderlo stabile e dritto.
- Rispetta sempre le istruzioni di montaggio: montando Skotti in modo errato, possono verificarsi pericoli imprevisti per te e altre persone.

5.2 Montare Skotti

Per montare il tuo grill Skotti, procedi come segue:



1. Infila la lamiera laterale lunga (6) con il logo Skotti e la lamiera finale corta (5) con il foro a nido d'ape nelle rispettive guide di collegamento corrispondenti.

I due pezzi riportano una marcatura a forma di piccolo triangolo sulla guida di collegamento.

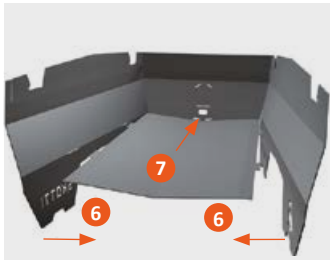
2. Infila la lamiera finale (5) e la seconda lamiera laterale lunga (6) sulla sottile guida di collegamento del lato con la scritta Skotti.



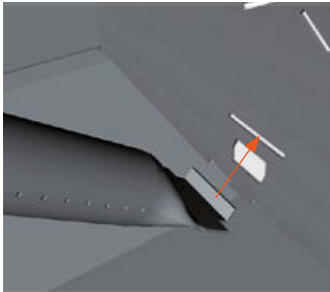
3. Posiziona la lamiera di fondo (8) tra i tre pezzi montati, tenendo la bombatura rivolta verso il basso.

Il bordo liscio deve trovarsi davanti, i ganci e i becchi all'altezza degli intagli.

4. Inserisci per primi i ganci negli intagli delle lamiere laterali (6).
5. Inserisci i becchi nell'intaglio della lamiera finale (5).



6. Spingi la lamiera di fondo (8) verso la lamiera finale (5) in modo che i ganci ricevano lateralmente un sostegno e i due becchi anteriori entrino negli intagli corrispondenti della lamiera finale.
7. Attraverso il foro a nido d'ape, inserisci nell'intaglio lungo circa 3 cm il tubo del bruciatore (3) tendendo il lato schiacciato molto inclinato e con il becco verso l'alto.



8. Senza esercitare alcuna forza, appoggia il tubo del bruciatore (3) sulla lamiera di fondo (8).
9. Appoggia la lamiera irradiante (2) come un tetto sopra il tubo del bruciatore (3).
10. Infila i becchi del lato forato nei due intagli obliqui e della lamiera finale (5).



11. Appoggia anche la lamiera irradiante (2) sulla lamiera di fondo (8).
12. Prendi la lamiera di testata (7) con il foro tondo e infilaci l'estremità tonda del tubo del bruciatore (3). Il lato arcuato deve essere rivolto verso l'interno.

13. Solleva la lamiera di testata (7) e infila i due becchi della lamiera irradiante (2) nei due intagli obliqui della lamiera di testata.



14. Posiziona le guide di collegamento della lamiera di testata (7) direttamente sopra a quelle delle lamiere laterali (6) e premi la lamiera di testata verso il basso.

✓ Ecco montato un corpo grill rettangolare.



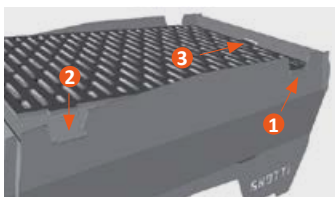
Consiglio

- ▶ Su www.skotti-grill.eu troverai il video tutorial corrispondente.



5.3 Applicare la griglia di cottura

Per applicare la griglia di cottura, procedi come segue:



1. Posiziona Skotti davanti a te in modo che l'estremità tonda del tubo del bruciatore (3) sia rivolta verso destra.
2. Prendi la griglia di cottura (1) in mano, tendendo il logo Skotti sotto a destra.



3. Inizia mettendo la griglia di cottura (1) nelle fessure predisposte sul lato destro.
 4. Inserisci la griglia di cottura (1) nelle fessure predisposte a sinistra.
 5. Spingi leggermente verso destra nelle fessure i becchi della griglia di cottura (1).
- ✓ Dopo aver udito il rumore dell'aggancio, il grill è bloccato e stabile.

5.4 Grigliare con carbonella o legna



Possibile pericolo d'incendio dovuto a errori nell'utilizzo.

- ▶ Non utilizzare **mai** il tubo del bruciatore per accendere carbonella o legna.
- ▶ Non lasciare **mai** Skotti sulla sua borsa quando grigli con carbonella o legna: la temperatura è più elevata rispetto a quella che si crea grigliando a gas.

Per utilizzare Skotti con carbonella o legna, procedi come segue:

1. Prima di grigliare con carbonella o legno, toglì il tubo del bruciatore (3) incl. la lamiera irradiante (2).
 2. Appoggia su Skotti la teglia di cottura (1) per grigliare solo quando la fiamma è bassa.
- ✓ Ora puoi utilizzare Skotti con carbonella o legno.



Consiglio

- ▶ Anche se è possibile, per amore dell'ambiente ti consigliamo: usa preferibilmente Skotti per grigliare a gas.

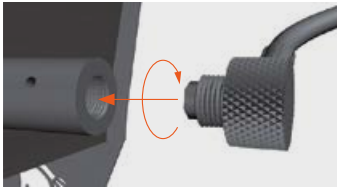
5.5 Collegare il gas



Pericolo di morte dovuto all'uso errato di cartucce gas.

- ▶ Utilizza Skotti come grill a gas solo con una miscela di propano / butano comunemente in commercio, conforme a EN 417 e con un peso netto max. di 500 grammi.
- ▶ La cartuccia gas richiudibile deve avere un filetto adatto al tuo regolatore del gas (filetto UNEF 7/16 x 28).
- ▶ Prima del collegamento, assicurati che siano presenti e intatte tutte le guarnizioni tra Skotti e la cartuccia gas. Non usare **mai** Skotti quando le guarnizioni sono difettose o usurate.
- ▶ Collega le cartucce gas soltanto all'aperto e a una distanza di sicurezza dalle fonti di ignizione.
- ▶ Evita di torcere il flessibile del gas.

Per collegare il gas, procedi come segue:



1. Ruota dolcemente in senso orario l'estremità dell'ugello del gas sull'estremità tonda del tubo del bruciatore di Skotti. L'estremità dovrebbe essere alloggiata salda senza impiegare molta forza.



2. Prima di collegare la cartuccia gas, chiudi bene il rubinetto del gas girando verso destra (↻).
 3. Ruota la cartuccia gas del regolatore del gas e **non** viceversa.
- ✓ Il gas è collegato.

5.6 Sostituire la cartuccia gas



Pericolo di morte dovuto all'uso errato di cartucce gas.

- ▶ **Prima** di staccare la cartuccia gas, assicurati che il bruciatore sia spento.
- ▶ **Prima** di sostituire la cartuccia gas, controlla che la cartuccia sia vuota, ad es. agitandola per sentire se si muove ancora del liquido al suo interno.
- ▶ Sostituisci la cartuccia gas **soltanto** all'aperto e a una distanza di sicurezza dalle fonti di ignizione e dalle altre persone.
- ▶ Evita di torcere il flessibile del gas.

Per sostituire la cartuccia gas, procedi come segue:



1. Prima di scollegare la cartuccia gas, chiudi il rubinetto del gas girando bene verso destra (↻).
2. Ruota la cartuccia gas del regolatore del gas e **non** viceversa.

➔ La cartuccia gas è estratta.



3. Prima del collegamento, assicurati che siano presenti e intatte tutte le guarnizioni tra Skotti e la cartuccia gas.
Non usare **mai** Skotti quando le guarnizioni sono difettose o usurate.
 4. Ruota la nuova cartuccia gas sul regolatore del gas e **non** viceversa.
- ✓ Ora hai sostituito la cartuccia gas.

6 Come utilizzare il tuo Skotti

6.1 Prima dell'accensione

Per i controlli di sicurezza prima dell'accensione, procedi come segue:

1. Controlla che il tubo del bruciatore **non** sia otturato.
Elimina l'eventuale otturazione prima di utilizzare Skotti.
 2. Controlla se le guarnizioni del gas e il flessibile del gas sono a posto.
 3. **Non** accendere Skotti durante il controllo delle perdite.
 4. Per controllare le perdite si consiglia di usare una miscela di acqua e sapone in uno spruzzatore.
 5. Spruzzala sul flessibile del gas e sui collegamenti tra Skotti e la cartuccia gas.
 6. Apri il regolatore del gas.
➔ Se ci sono delle perdite, si formano delle piccole bolle.
 7. Se ci sono delle perdite, chiudi il regolatore del gas girando verso destra (↻) e svita la cartuccia gas.
Non utilizzare Skotti.
 8. Prima dell'accensione, assicurati che tutti i pezzi siano montati come indicato.
 9. Prima dell'accensione, elimina da Skotti il grasso di eventuali grigliate precedenti. Gli incendi causati dal grasso sono pericolosi e vanno evitati.
- ✓ Se tutto funziona senza problemi, puoi accendere Skotti.

6.2 Accensione



Pericolo di morte per scarsa attenzione durante le operazioni.

- ▶ Skotti **non** va messo in funzione quando c'è vento troppo forte. Il foro di controllo fiamma/accensione non va tenuto sotto vento.
- ▶ Durante l'accensione, presta attenzione a te stesso e ai tuoi indumenti.
Durante il riscaldamento o quando Skotti e/o la cartuccia del gas vengono scossi troppo, il gas liquido potrebbe fuoriuscire e causare fiammate.
Ad esempio se si portano capelli lunghi e sciolti o indumenti non aderenti che si infiammano facilmente.

Per accendere Skotti, procedi come segue:

1. Apri il regolatore del gas sulla cartuccia girandolo leggermente verso sinistra (↺) fino a quando sentirai fluire il gas.
2. Dopo circa 1-2 secondi, accendi il gas nel tubo del bruciatore con un accendino o fiammifero attraverso il foro di controllo fiamma/accensione a nido d'ape.



Pericolo di esplosioni, incendio e ferite mortali per gas.

- ▶ Se entro l'arco di 4 secondi non riesci ad accendere il gas nel tubo del bruciatore, interrompi l'accensione ad es. perché c'è vento forte o non funziona l'accendino o il fiammifero ecc.
 - ▶ Ruota subito il regolatore del gas verso destra (↻).
 - ▶ Aspetta almeno 1 minuto – in modo che il gas fuoriesca dal corpo del grill. In caso contrario c'è un forte pericolo di esplosione.
3. **Dopo** ogni tentativo di accensione, controlla attraverso il foro controllo fiamma/accensione se il gas nel tubo del bruciatore si è acceso.
 4. Quando la fiamma si spegne, ruota subito il regolatore del gas verso destra (↻) per chiuderlo.



Pericolo di ustioni per superfici che scottano.

- ▶ Skotti è probabilmente ancora molto caldo.
Durante l'accensione, non toccare le parti di Skotti.
5. Aspetta almeno 1 minuto prima di ritentare l'accensione.
- ✓ Buon divertimento con il grill.

6.3 Consigli per grigliare

Se lo utilizzi con il gas, puoi appoggiare Skotti sulla sua borsa di trasporto.

In questo modo potrai raccogliere il grasso che cola e pulirla con una passata veloce.

Riscalda sempre Skotti un momento prima. Skotti si riscalda in fretta. Dopo soli 2 minuti potrai grigliare alla perfezione.

Skotti non ha un riduttore della pressione del gas. Durante lo sviluppo del prodotto abbiamo rinunciato volutamente a questo pezzo.

La zona sopra il foro controllo fiamma/accensione è spesso meno calda.

Qui puoi tenere in caldo o grigliare cose che richiedono meno calore.

A seconda delle condizioni meteo e vento, questa zona può risultare più o meno calda. Basta provare.

Sotto i 10°C, utilizza gas invernale o Power Gas. Per motivi costruttivi e della miscela del gas, questa qualità di gas esce meglio dalla cartuccia alle basse temperature.

7 In caso di problemi

Non riesco ad accendere il gas nel tubo del bruciatore

- Evita l'esposizione diretta al vento.
- Utilizza un accendino/fiammifero che funzioni.
- Dopo aver chiuso il regolatore del gas, controlla se c'è ancora gas nella cartuccia.

La distribuzione del calore è irregolare

- Posiziona Skotti al riparo dal vento.

Skotti non si scalda come di solito

- Se la temperatura sotto ai 10°C, usa gas invernale o Power Gas (disponibile presso singoli produttori).

Escono fiamme gialle sotto la lamiera irradiante

- Riduci il gas (chiudi il regolatore del gas ruotando un po' verso destra).

Ci sono delle fiammate

- Non mettere **mai** la carta d'alluminio dentro a Skotti.
- Probabilmente la camera del grill è sporca. Puliscila.

8 Smontare il tuo Skotti

Quando Skotti si è raffreddato, puoi disporre tutti i suoi pezzi nella borsa salvaspazio lavabile.

Per montare Skotti, procedi come segue:

1. Assicurati che il regolatore del gas sia chiuso verso destra (🔒) e che i pezzi non siano più caldi.
 2. Svita la cartuccia gas dal regolatore.
 3. Svita in senso antiorario l'estremità con l'ugello dal finale tondo del tubo del bruciatore (3) del tuo Skotti.
 4. Posizionati davanti a Skotti con l'estremità tonda del tubo del bruciatore (3) rivolta verso destra.
 5. Con gli indici, solleva i due becchi della griglia di cottura (1) che si trovano nelle fessure a sinistra.
 6. Tira leggermente verso sinistra la griglia di cottura (1) e sollevala contemporaneamente.
- ➔ Il grill è ora sbloccato.
7. Solleva la lamiera di testata (7) – l'estremità tonda del tubo del bruciatore (3) è rivolta verso l'alto – e staccala dalla lamiera irradiante (2) e dal tubo del bruciatore.
 8. Estrai la lamiera irradiante (2) dagli intagli della lamiera finale (5).
 9. Solleva il tubo del bruciatore (3) dall'estremità tonda e tira fuori dall'intaglio della lamiera finale (5) l'estremità schiacciata, inclinandola molto e senza esercitare forza.
 10. Estrai la lamiera di fondo (8) dalla lamiera finale (5) e dalle lamiere laterali (6) e appoggiala con il lato sporco sulla griglia di cottura (1).
 11. Estrai la lamiera di fondo (8) dalle due lamiere laterali lunghe (6) e dalla lamiera finale (5).
 12. Estrai le due lamiere laterali lunghe (6) dalla lamiera finale (5).
- ✓ Skotti è smontato.



Consiglio

- ▶ Ti consigliamo di riporre le parti di Skotti nella borsa procedendo come segue:
griglia / fondo (come coperchio sopra) / 2 lamiere laterali / lamiera di testata e lamiera finale / lamiera irradiante.

9 Manutenzione del tuo Skotti

Pulizia del tuo Skotti

Tutte le parti di Skotti – esclusi il tubo del bruciatore e il flessibile del gas con ugello e regolatore del gas – sono lavabili in lavastoviglie.

Naturalmente lo è anche la borsa di Skotti.

Questo per rendere la pulizia un piacere e risparmiare tempo.

- Prima della pulizia, controlla se il detergente che usi è indicato per le superfici in acciaio inossidabile. Altrimenti potresti graffiarle.
- Per eliminare residui molto incrostati non basta il lavaggio in lavastoviglie. Prima di lavare queste parti, lasciale del tempo in ammollo in acqua e detergente.
- Per ripulire bene Skotti, ti consigliamo i pad insaponati di lana metallica per superfici in acciaio inossidabile oppure altri detersivi per grill e forno. Questi prodotti sciolgono in poco tempo e a poco prezzo anche le incrostazioni – e Skotti torna a splendere come nuovo.
- Pulendo la valvola o il tubo del bruciatore, **non** “allargare” gli ugelli della valvola o l’estremità tonda del tubo del bruciatore.
- Pulisci il tubo del bruciatore solo quando è staccato il flessibile del gas, altrimenti potresti otturare gli ugelli del gas.
- Se i buchi degli ugelli del tubo del bruciatore si otturano col tempo, spazzolali con una spazzola di rame e scuoti il tubo con l’apertura rivolta verso il basso.

Manutenzione del tuo Skotti

Ogni 3 mesi devi occuparti del tuo Skotti per mantenerlo sempre in ottimo stato:

- Controlla l’interno del tubo del bruciatore e puliscilo in caso di sporizia o ostruzioni.
- Controlla il flessibile del gas e sostituiscilo in caso di danneggiamenti o perdite.
- Controlla le guarnizioni e sostituiscile in caso di danneggiamenti o usura.

10 La nostra garanzia sul tuo Skotti

Vennskap ti dà una garanzia di due anni dalla data di acquisto su tutti i pezzi del tuo Skotti. Questo vale per:

- flessibile del gas con ugello e regolatore del gas
- tubo del bruciatore
- borsa Skotti

Ma essendo più che convinti del nostro prodotto, abbiamo deciso di estendere la nostra garanzia. Ti diamo:

- 5 anni di garanzia sul corpo del grill Skotti incl. griglia di cottura

La nostra garanzia vale solo quando Skotti è montato, utilizzato e curato secondo le istruzioni d'uso e noi, dopo un nostro controllo interno, avremo constatato che l'apparecchio o le sue parti hanno effettivamente dei difetti. In questo caso ripariamo e sostituiamo gratuitamente l'intero apparecchio o le sue parti difettose. In caso di reclamo, contattaci sempre direttamente.

Per esporre un reclamo dovrai presentare il riscontro della data di acquisto (quindi: conserva la fattura!) e una descrizione scritta del difetto/problema. Se ti chiederemo di spedire le parti difettose, questi costi di spedizione sono a tuo carico. Una volta eseguita la riparazione o sostituite le parti, ci assumeremo noi i costi di spedizione per la restituzione.

Ulteriori informazioni sono disponibili anche sul nostro sito:

www.skotti-grill.eu



11 Smaltimento e riciclaggio

Smaltisci le cartucce gas usate, i liquidi che si formano durante la pulizia e lo stesso Skotti nel rispetto dell'ambiente, delle disposizioni sullo smaltimento e delle leggi ambientali locali.

Informazioni in proposito sono disponibili presso il tuo fornitore del gas o le autorità comunali locali.

Inhoud

1	Inleiding	2
1.1	Zo leggen wij aan u uw Skotti uit	2
1.2	Hier moet u opletten	3
2	Uw Skotti in gegevens	3
3	Voor uw veiligheid - dit moet u weten	4
3.1	Hiervoor kunt u de Skotti gebruiken	4
3.2	Dit mag u niet met de Skotti doen	4
3.3	Risico's door hete oppervlakken	5
3.4	Risico's voor kinderen	5
3.5	Risico's door gas.....	5
3.6	Risico's vanwege vuur	6
4	Dit allemaal behoort tot uw Skotti	7
5	Zo bouwt u uw Skotti op	8
5.1	Waar gaat u uw Skotti opbouwen?	8
5.2	Skotti monteren	8
5.3	Grillrooster plaatsen	10
5.4	Met houtskool of hout barbecueën	10
5.5	Gas aansluiten.....	11
5.6	Gaspatroon vervangen.....	12
6	Zo gebruikt u uw Skotti	13
6.1	Controleer voor het aansteken	13
6.2	Aansteken	14
6.3	Barbecue tips	15
7	Als het niet helemaal lukt	15
8	Zo bergt u uw Skotti weer op	16
9	Zo verzorgt u uw Skotti	17
10	Onze garantie voor uw Skotti	18
11	Verwijdering en recycling.....	18

1 Inleiding

Deze gebruiksaanwijzing zorgt voor de veilige en efficiënte omgaan met de Skotti. Bovendien bevat het belangrijke aanwijzingen voor onderhoud van uw de Skotti.

Belangrijk

Lees deze gebruiksaanwijzing zorgvuldig door, om met de Skotti vertrouwd te raken, alvorens deze op de gaspatroon of gasfles aan te sluiten. Bewaar de gebruiksaanwijzing om deze opnieuw te lezen of aan andere gebruikers te kunnen doorgeven.

Fabrikant

Vennskap GmbH & Co.KG
In der Loh 36 c
40668 Meerbusch
+49 (0) 2150-7076910
www.skotti-grill.eu



1.1 Zo leggen wij aan u uw Skotti uit

Als u iets moet doen

Om een handeling uit te voeren, gaat u als volgt te werk:

1. Doe dit.
2. Doe dat.
➔ Dit tussenresultaat vloeit daaruit voort.
3. Doe dat.
✓ U heeft de handeling uitgevoerd.

De opsommingen worden als volgt weergegeven

- Opsomming 1. Volgorde

1.2 Hier moet u opletten



GEVAAR

Duidt op een gevaarlijke situatie die tot ernstig lichamelijk letsel of dood leidt.

- ▶ Maatregelen om het gevaar te vermijden



Tip

- ▶ Toepassingstips en nuttige informatie

2 Uw Skotti in gegevens

Apparaatbenaming		Mobiele gasbarbecue type Skotti
Maten	Grillrooster (l x b)	30,4 x 21 cm
	Gemonteerd (l x b x h)	33,6 x 21,9 x 17,6 cm
	Verpakt in tas (l x b x h)	45 x 30 x 3,5 cm
Capaciteit		2,3 ... 2,5 kW 172 ... 187 g/h
Gewicht zonder gaspatroon		3 kg
Toegestane gaspatroon		EN 417 schroefpatroon met 7/16 x 28 UNEF schroefdraad (mengsel van butaan en propaangas)
Materiaal		Grillbehuizing van 1 mm roestvrijstaal, grillrooster van 3 mm roestvrijstaal, zeildoek-tas

Diameter van het mondstuk: 0,3 mm

3 Voor uw veiligheid - dit moet u weten

3.1 Hiervoor kunt u de Skotti gebruiken

- Gebruik de Skotti alleen voor privé barbecues.
- Gebruik de Skotti uitsluitend buiten.
- Gebruik de Skotti als gasbarbecue uitsluitend met een in de handel verkrijgbaar mengsel van butaan en propaangas volgens EN 417. De hersluitbare gaspatroon moet een passende schroefdraad voor uw gasregelaar hebben (7/16 x 28 UNEF schroefdraad).
- Gebruik alleen toegestane schroefpatronen tot max. 500 g.
- Andere gashouders of gasmengsels aansluiten kan zeer gevaarlijk zijn.
- Gebruik de Skotti eventueel met houtskool of hout.

3.2 Dit mag u niet met de Skotti doen

- Gebruik de Skotti **niet** voor commerciële barbecues.
- Gebruik de Skotti **nooit** met aardgas.
- Tijdens het gebruik van de Skotti, mag u de gasregelaar (🔴) of andere delen **niet** losmaken of demonteren.
- Plaats of bouw de Skotti **niet** in een constructie.
Er moet altijd een ongehinderde luchtuitwisseling gewaarborgd zijn. Soms kunnen brand of explosie veroorzaakt worden die ernstige of zelfs dodelijk letsel en tot aanzienlijke materiële schade kan leiden.
- Voer **nooit** wijzigingen of reparaties aan de Skotti uit.
Hierdoor kunnen gevaren ontstaan en de garantie vervalt. Laat de Skotti altijd door deskundige repareren; onze adressen zijn te vinden in hoofdstuk "1 Inleiding".

3.3 Risico's door hete oppervlakken

- Raak de Skotti niet aan tijdens gebruik of direct na het barbecueën. De Skotti en al zijn afzonderlijke delen kunnen zeer heet worden.
- De Skotti moet ook na het barbecueën in de gaten worden gehouden – tot de barbecue afgekoeld is. In de zomer duur dit ca. 20 minuten. Soms kunnen ongevallen, brandwonden of brand veroorzaakt worden.

3.4 Risico's voor kinderen

- De Skotti mag **niet** door kinderen bediend worden.
- Houd kinderen van de Skotti verwijderd, ook tijdens het afkoelen na het barbecueën.

3.5 Risico's door gas

- Let op de instructies op de gaspatroon.
- Sla **nooit** gaspatronen op in de buurt van de Skotti.
- Vervoer en bewaar gaspatronen altijd zorgvuldig. Ook in een schijnbaar lege gaspatroon kan nog gas aanwezig zijn.
- Gebruik de Skotti **nooit**, als de gastoevoer of pakkingen defect of foutief zijn.
- Zoek naar gaslekken altijd met een oplossing van zeep-water, bijv. in een sproeiflacon. Sproei hiermee de overeenkomstige delen en open de gasregelaar. Bij ondichte plaatsen komen kleine bellen voor. Gebruik **nooit** een vlam, om gaslekken te zoeken. Er kan een steekvlam of explosie ontstaan.
- Beschadig **nooit** de gaspatroon. Er kan een explosie ontstaan.
- Laat gedeukte of roestige gaspatronen voor gebruik controleren door uw gasleverancier.
- Bij lage temperaturen kan vloeibaar gas ook niet meer worden omgezet. Dat betekent: Het verbrand slechter. In de winter raden wij uw daarom aan, speciaal wintergas of powergas te gebruiken.



Explosiegevaar, vuur en dodelijk letsel door gas mogelijk.

- ▶ Zodra het naar gas ruikt:
Draai direct de gasregelaar naar rechts dicht (↻).
Verwijder de slang van de gaspatroon.
Doof onmiddellijk open vuur, sigaretten, enz.
- ▶ Indien u nog steeds een gaslucht waarneemt:
Houd afstand tot de Skotti en de gaspatroon.
Informeer de gasleverancier en / of de brandweer.

3.6 Risico's vanwege vuur

- Gebruik de Skotti **nooit** zonder toezicht.
- Gebruik de Skotti **nooit** op ontvlambare ondergrond zoals een doek.
- Houd bij het barbecueën een veilige afstand aan van mogelijke gevaarzones zoals licht ontvlambare stoffen: altijd min. 10 meter.
- Leeg nooit ontvlambare delen op de Skotti, als deze in gebruik of nog heet is.



Levensgevaar door vetbrand mogelijk.

- ▶ Indien het tot een vetbrand komt:
Bewaar rust.
Schakel indien mogelijk de gastoevoer uit (↻).
- ▶ Gebruik een speciale brandblusser, zand, zuiveringszout of bakpoeder om te blussen.
- ▶ Probeer **nooit** met water of meel een vetbrand te blussen.
De waarschijnlijkheid van een oncontroleerbare steekvlam of explosie is extreem hoog.
- ▶ Breng uzelf en andere in veiligheid.
- ▶ Bel de brandweer op het EU-brede nummer 112 vanaf het vaste en mobiele netwerk.
Beveilig de gevaarzone tot de brandweer arriveert zonder uzelf of anderen in gevaar te brengen.

4 Dit allemaal behoort tot uw Skotti

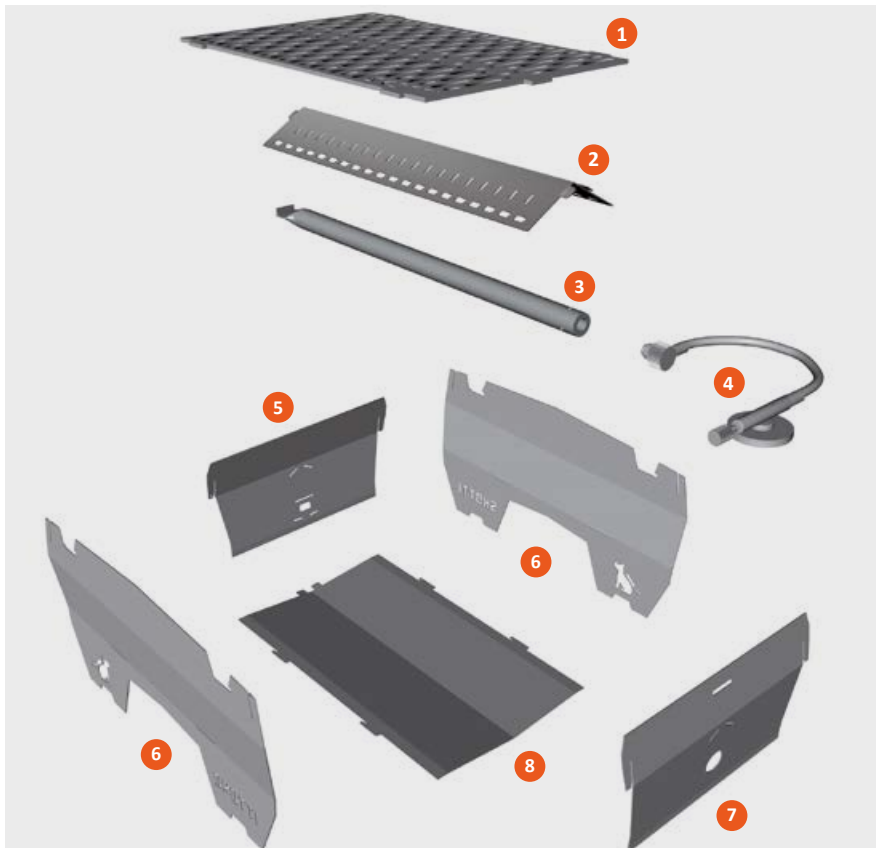


Foto 1 Dit allemaal behoort tot uw Skotti

Pos.	Aanduiding
1	1 x Grillrooster
2	1 x Stralingsplaat
3	1 x Branderbuis
4	1 x Gasslang met schroefregelaar
5	1 x Voetdeel met honingraat ontstekings- en vlamcontrolelegat
6	2 x Lange zijdelen met logo en standvoeten
7	1 x Kopdeel met rond gat
8	1 x Bodemdeel

5 Zo bouwt u uw Skotti op

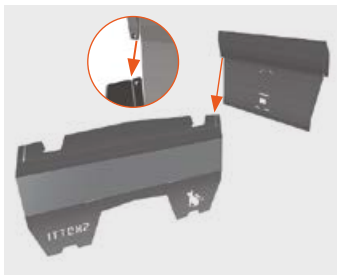
5.1 Waar gaat u uw Skotti opbouwen?

Let op de volgende punten bij de keuze van de grillplaat:

- De Skotti en al zijn afzonderlijke delen kunnen zeer heet worden. zodat u hem niet kan bewegen. Overweeg voor het aansteken of de barbecueplaats voldoet aan de veiligheidseisen.
- Plaats de Skotti op een vlakke en stabiele ondergrond en zorg ervoor dat de Skotti min. 5 cm vrije afstand tot de vloer moet hebben. Soms kan uitgestroomd gas, dat niet ontstoken is, niet aar beneden ontwijken. Dit kan een explosie veroorzaken.
- Als de Skotti op zand, sneeuw, ijs of in scheve ondergrond zakt of scheef staat, gebruik de randen in de standvlakken, om hem met een stuk hout of een steen stabiel en recht te zetten.
- Volg altijd de montagehandleiding: Bij verkeerde montage van de Skotti ontstaan onvoorzienbare gevaren voor u en andere personen.

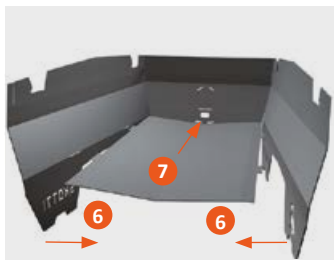
5.2 Skotti monteren

Om de Skotti barbecue te monteren, gaat u als volgt te werk:



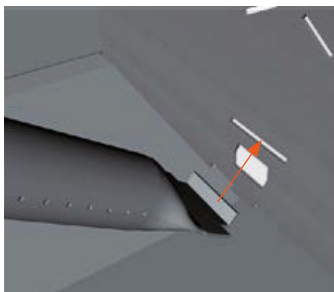
1. Steek het lange zijdeel (6) op de zijde met het Skotti-logo en het korte voetdeel (5) met honingraatgat aan de verbindingsnaad in elkaar. Beide delen hebben aan de verbindingsnaad een kleine driehoek als kenmerk.
2. Steek het voetdeel (5) en de twee lange zijdelen (6) op de smalle verbindingsnaad op de zijde met de Skotti belettering in elkaar.
3. Leg het bodemdeel (8) met de bolling naar beneden tussen de drie gemonteerde delen. De gladde rand moet vooraan zitten, de haken en lipjes ter hoogte van de sleuven.
4. Voeg eerst de haken in de sleuf van de zijdelen (6).
5. Voeg de lipjes in de sleuf van het voetdeel (5).





6. Schuif het bodemdeel (8) zo dicht mogelijk tegen het voetdeel (5), dat de haken zijdelings stoppen en de beide voorste lipjes op het bodemdeel in de passende sleuven van het voetdeel glijden.

7. Geleid de branderbuis (3) met de afgeknepen kant in de onder een steile hoek en met het lipje naar boven in de ca. 3 cm lange sleuf over het honingraatgat.



8. Leg de branderbuis (3) zonder kracht uit te oefenen op het bodemdeel (8).

9. Leg de stralingsplaat (2) als een dak over de branderbuis (3).

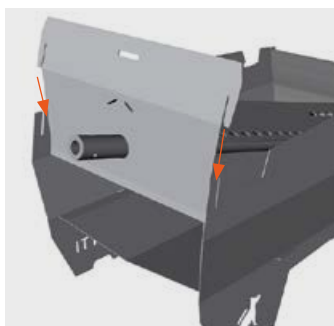
10. Steek de lipjes van de geperforeerde zijde in de twee schuine sleuven van het voetdeel (5).



11. Leg ook de branderbuis (2) op het bodemdeel (8).

12. Neem het losse kopdeel (7) met rond gat en steek deze op het ronde einde van de branderbuis (3). De gebogen zijde moet naar binnen wijzen.

13. Til het kopdeel (7) naar boven en steek de beide lipjes van de stralingsplaat (2) in de twee schuine sleuven van het kopdeel.



14. Positioneer de verbindingsnaden van het kopdeel (7) direct over die van de zijdelen (6) en duw het kopdeel naar beneden.

✓ Het resultaat is een grillmand aan dezelfde zijde.



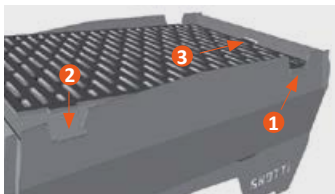
Tip

- ▶ Op www.skotti-grill.eu vindt u hiervoor de juiste video.



5.3 Grillrooster plaatsen

Om het grillrooster te plaatsen, gaat u als volgt te werk:



1. Plaats de Skotti zodanig voor u, dat het ronde einde van de branderbuis (3) naar rechts wijst.
 2. Neem het grillrooster (1) zo in de hand, dat het Skotti-logo zich rechtsonder bevindt.
 3. Leg het grillrooster (1) eerst op de rechterzijde in de hiervoor bestemde uitsparingen.
 4. Laat het grillrooster (1) links in de uitsparingen glijden.
 5. Schuif het grillrooster (1) iets naar rechts tegen de lipjes in de uitsparingen.
- ✓ Na een hoorbare klik is de barbecue vergrendeld en stabiel.

5.4 Met houtskool of hout barbecueën



Brandgevaar door verkeerd gebruik mogelijk.

- ▶ Gebruik de branderbuis **nooit** voor het aansteken van houtskool of hout.
- ▶ Plaats de Skotti **nooit** op de transporttas, als u met houtskool of hout gaat barbecueën – er ontstaan hogere temperaturen dan bij barbecueën met gas.

Om de Skotti met houtskool of hout te gebruiken, gaat u als volgt te werk:

1. Verwijder de branderbuis (3) samen met de stralingsplaat (2), alvorens met houtskool of hout te gaan barbecueën.
 2. Leg het grillrooster (1) alleen voor het barbecueën bij kleine vlam op de Skotti.
- ✓ Nu kan U de Skotti met houtskool of hout gebruiken.



Tip

- ▶ Zelfs als het mogelijk is, om het milieu te beschermen, raden wij aan: Gebruik de Skotti alleen met gas.

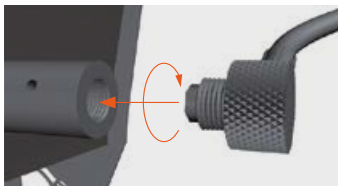
5.5 Gas aansluiten



Levensgevaar door verkeerd gebruik van gaspatronen mogelijk.

- ▶ Gebruik de Skotti als gasbarbecue uitsluitend met een in de handel verkrijgbaar propaan / butaan-gasmengsel volgens EN 417 met een maximaal vulgewicht van 500 gram.
- ▶ De hersluitbare gaspatroon moet een passende schroefdraad voor uw gasregelaar hebben (7/16 x 28 UNEF schroefdraad).
- ▶ Controleer voor het aansluiten of de afdichtingen tussen de Skotti en de gaspatroon aanwezig en in perfecte staat zijn. Gebruik de Skotti **nooit** met defecte of versleten afdichtingen.
- ▶ Sluit gaspatronen alleen buiten en op veilige afstand van ontstekingsbronnen aan.
- ▶ Voorkom torsiebelastingen van de gas slang.

Om het gas aan te sluiten gaat u als volgt te werk:



1. Draai het uiteinde met het gasmondstuk rechtson en voorzichtig op het ronde uiteinde van de Skotti-branderbuis. Het uiteinde moet stevig vastzitten zonder veel kracht te gebruiken.



2. Sluit de gaskraan met een handvast draaien naar rechts (↻), voordat de gaspatroon wordt aangesloten.
 3. Draai de gaspatroon op de gasregelaar en **niet** andersom.
- ✓ Het gas is aangesloten.

5.6 Gaspatroon vervangen



Levensgevaar door verkeerd gebruik van gaspatronen mogelijk.

- ▶ Controleer **voor** het losmaken van de gaspatroon of de brander uitgegaan is.
- ▶ Controleer **voor** het wisselen van de gaspatroon of deze leeg is, door bijv. te schudden, zodat het klotsen van de vloeistof kan worden gehoord.
- ▶ Verwissel de gaspatroon **alleen** buiten en op veilige afstand van ontstekingsbronnen en andere personen.
- ▶ Voorkom torsiebelasting van de gas slang.

Om de gaspatroon te vervangen, gaat u als volgt te werk:



1. Sluit de gaskraan met een handvast draaien naar rechts (↻), voordat de gaspatroon wordt losgemaakt.
2. Draai de gaspatroon van de gasregelaar en **niet** andersom.

➔ De gaspatroon is verwijderd.



3. Controleer voor het aansluiten of de afdichtingen tussen de Skotti en de gaspatroon aanwezig en in perfecte staat zijn. Gebruik de Skotti **nooit** met defecte of versleten afdichtingen.
 4. Draai de nieuwe gaspatroon op de gasregelaar en **niet** andersom.
- ✓ De gaspatroon is verwisseld.

6 Zo gebruikt u uw Skotti

6.1 Controleer voor het aansteken

Om de veiligheidscontroles vóór het telkens aansteken uit te voeren, gaat u als volgt te werk:

1. Controleer, of de branderbuis **niet** verstopt is.
Verwijder de verstopping, voordat de Skotti wordt gebruikt.
2. Controleer, of de gasafdichtingen en de gaslang in orde zijn.
3. Ontsteek de Skotti **niet** tijdens een lektest.
4. Voor de lektest is een oplossing van zeep-water in een sproeiflacon voldoende.
5. Sproei hiermee op de gaslang en op de verbindingen tussen de Skotti en de gaspatroon.
6. Open de gasregelaar.
➔ Als er lekken zijn, verschijnen er kleine belletjes.
7. Als er lekken zijn, draait u de gasregelaar naar rechts (↻) en schroef de gaspatroon eraf.
Gebruik de Skotti **niet**.
8. Zorg ervoor voordat u aansteekt, dat alle onderdelen goed zijn gemonteerd.
9. Verwijder vóór het aansteken al het vet uit de Skotti dat misschien afkomstig is van eerdere barbecueën. Vetbranden zijn gevaarlijk en moeten vermeden worden.
✓ Als alles goed werkt, kunt u de Skotti aansteken.

6.2 Aansteken



Levensgevaar door verkeerd gebruik en onachtzaamheid mogelijk.

- ▶ De Skotti mag tijdens het gebruik **niet** aan te harde wind worden blootgesteld.
Het ontstekings- en vlamcontrolegat moet altijd van de wind af gericht zijn.
- ▶ Pas goed op uzelf en uw kleding tijdens het aansteken.
Tijdens het voorverwarmen of bij sterk schudden van de Skotti en / of van de gaspatroon kan het gas in vloeibare vorm ontsnappen en tot steekvlammen leiden.
Bijvoorbeeld kan lang rondvliegend haar of wijde kleding snel ontbranden.

Om de Skotti barbecue te monteren, gaat u als volgt te werk:

1. Draai de gasregelaar op de gaspatroon iets naar links (↶), tot u het gas hoort stromen.
2. Ontsteek het gas in de branderbuis na ca. 1 - 2 seconden met een aansteker of een lucifer door het honingraat ontstekings- en vlamcontrolegat op het voetdeel.



Explosiegevaar, vuur en dodelijk letsel door gas mogelijk.

- ▶ Als u het gas in de branderbuis niet binnen 4 seconden kan ontsteken, stopt de ontsteking. bijv. wegens wind, een defecte aansteker, lucifer, enz.
 - ▶ Draai de gasregelaar naar rechts dicht (↷).
 - ▶ Wacht minstens 1 minuut, zodat het gas uit de grillbehuizing kan ontsnappen. Anders bestaat er acuut explosiegevaar.
3. Controleer na elke ontstekingspoging door het ontstekings- en vlamcontrolegat **na** of het gas in de branderbuis is ontstoken.
 4. Als de vlammen uitgaan, draai dan onmiddellijk de gasregelaar naar rechts dicht (↷).



Verbrandingsgevaar door hete oppervlakken mogelijk.

- ▶ De Skotti is waarschijnlijk nog steeds erg heet.
Raak geen onderdelen van de Skotti aan tijdens het ontsteken.
5. Wacht minstens 1 minuut, eer u opnieuw ontsteekt.
- ✓ Veel plezier bij het barbecueën.

6.3 Barbecue tips

De Skotti kunt u in de gasstand op de transporttas zetten. Dit kan eventueel weglappend vet opvangen en kan vervolgens gemakkelijk worden weggeveegd.

Verwarm de Skotti altijd iets voor. Bij de Skotti gaat dat zeer snel. Reeds na 2 minuten kunt u super barbecueën.

De Skotti heeft geen gasdrukregelaar. Dit hebben we bij de ontwikkeling bewust weggelaten.

Het gebied boven het ontstekings- en vlamcontrolegat is vaak iets minder heet. Op deze manier kunt u het bereide gegrilde voedsel lekker warm houden of gegrild voedsel, dat minder warmte nodig heeft, daar neerleggen.

Afhankelijk van de wind- en weersomstandigheden kan dit gebied wat warmer of kouder zijn. Probeer het gewoon uit.

Gebruik bij temperaturen onder 10 °C wintergas of powergas. Dit kan ook beter wegvloeien bij lagere temperaturen vanwege de structurele eigenschappen van het patroon en het gasmengsel.

7 Als het niet helemaal lukt

Gas in de branderbuis kan niet worden ontstoken

- Vermijd directe blootstelling aan wind.
- Gebruik een werkende aansteker of lucifer.
- Controleer na het dicht draaien van de gasregelaar, of er nog gas in de patroon zit.

De warmteverdeling is ongelijk

- Plaats de Skotti uit de wind.

De Skotti ontwikkelt niet de gebruikelijke warmte

- Gebruik wintergas of powergas, als het kouder dan 10 °C is (dit wordt aangeboden door afzonderlijke fabrikanten).

Gele vlammen schieten onder de stralingsplaat uit

- Verminder het gas (gasregelaar iets naar rechts dicht draaien).

Er zijn steekvlammen

- Leg **nooit** aluminiumfolie in de Skotti.
- De grillkamer is mogelijk vuil. Deze reinigen.

8 Zo bergt u uw Skotti weer op

Zodra de Skotti afgekoeld is, kunt u alle onderdelen eenvoudig weer in de ruimte besparende afwasbare tas opbergen.

Om de Skotti te demonteren, gaat u als volgt te werk:

1. Zorg ervoor, dat de gasregelaar naar rechts dichtgedraaid is (🔴) en de onderdelen niet meer heet zijn.
2. Draai de gaspatroon van de gasregelaar.
3. Draai het uiteinde met het gasmondstuk linksom van de ronde uiteinde van de branderbuis(3) van de Skotti af.
4. Plaats u zodanig voor de Skotti, dat het ronde einde van de branderbuis (3) naar rechts wijst.
5. Gebruik uw wijsvingers om de twee lipjes op het grillrooster (1) op te tillen die in de linker uitsparingen liggen.
6. Trek het grillrooster (1) iets naar links en til het tegelijkertijd een beetje op.
➔ De barbecue is ontgrendeld.
7. Til het kopstuk (7) met het ronde uiteinde van de branderbuis (3) naar boven en maak het los van de stralingsplaat (2) en branderbuis.
8. Trek de stralingsplaat (2) uit de sleuven in het voetdeel (5).
9. Til de branderbuis (3) aan het ronde uiteinde iets op en trek het afgeknepen uiteinde onder een steile hoek en zonder kracht uit de sleuf in het voetdeel (5).
10. Trek het bodemdeel (8) uit het voetdeel (5) en zijdelen (6) er uit en leg deze met de vuile kant op he grillrooster (1).
11. Trek het bodemdeel (8) uit de twee lange zijdelen (6) en het voetdeel (5).
12. Trek de twee lange zijdelen (6) uit het voetdeel (5).
✓ De Skotti is gedemonteerd.

Tip

- ▶ Wij raden u aan, de onderdelen op de volgende manier in de Skotti-tas terug te leggen:
Rooster / bodemdeel (als dak eroverheen) / 2 zijdelen / kop- en voetdeel / stralingsplaat.



9 Zo verzorgt u uw Skotti

Reiniging van uw Skotti

Alle onderdelen van de Skotti kunt u – behalve branderbuis en gaslang met mondstuk en gasregelaar – in de vaatwasser plaatsen.

De tas van de Skotti natuurlijk ook.

Dit maakt het schoonmaken leuk en kost weinig tijd.

- Controleer voor het reinigen of de reinigingsmiddelen geschikt zijn voor een roestvrijstalen oppervlak. Anders kunnen er krassen ontstaan.
- Voor sterk ingebrand voedsel is reinigen in de vaatwasser niet voldoende. Week deze onderdelen eerst grondig in een sopje.
- Om ervoor te zorgen dat de Skotti weer echt schoon wordt, raden wij u zeepkussens van staalwol aan voor roestvrijstalen oppervlakken of andere grill- of ovenreinigers.
Deze lossen met weinig moeite en tegen een lage prijs ook ingebrand voedsel op – en de Skotti straalt weer in nieuwe glans.
- Bij het reinigen van de klep of branderbuis, mag u de klepmondstuk of het ronde uiteinde van de branderbuis **niet** "wijder" maken.
- Reinig de branderbuis alleen , als de gaslang is losgeschroefd, anders kan het gasmondstuk verstopt raken.
- Als de mondstukopeningen in de branderbuis na verloop van tijd verstopt raken, borstel ze dan voorzichtig af met een koperen borstel en schud de buis leeg met de opening naar beneden.

Onderhoud van uw Skotti

Iedere 3 maanden moet u uw Skotti verzorgen, zodat hij in optimale toestand blijft:

- Controleer de branderbuis van binnen en reinig deze bij vervuiling en verstopping.
- Controleer de gaslang en vervang deze bij beschadiging of lekkage.
- Controleer de afdichtingen en vervang deze bij beschadiging of slijtage.

10 Onze garantie voor uw Skotti

Bij Vennskap geven wij u voor uw Skotti vanaf de aankoopdatum een tweejarige garantie op alle onderdelen. Dat geldt voor:

- Gas slang met gasmondstuk en gasregelaar
- Branderbuis
- Skotti-tas

Maar aangezien we meer dan overtuigd zijn van ons apparaat, breiden we zelfs onze garantie uit. Wij geven u:

- 5 jaar garantie op de Skotti-grillbehuizing met grillrooster

Onze garantie geldt alleen, als de Skotti volgens deze gebruiksaanwijzing gemonteerd, gebruikt en onderhouden wordt en wij na onze controle vaststellen, dat het apparaat of afzonderlijke onderdelen werkelijk defect zijn. Wij repareren of vervangen dan gratis het gehele apparaat of defecte afzonderlijke onderdelen. Neem bij een klacht altijd direct contact met ons op.

Bij een klacht dient u de aankoopdatum te overleggen (dus: bewaar de rekening!) en een beschrijving van de fout . probleem schriftelijk toe te voegen. Als we u vragen om de defecte onderdelen op te sturen, zijn de verzendkosten voor u. Wij sturen u dan de gerepareerde of vervangende onderdelen terug en zijn de verzendkosten voor onze rekening.

Meer informatie kunt u vinden op onze website:

www.skotti-grill.eu



11 Verwijdering en recycling

Verwijder gebruikte gaspatronen, bij de reiniging vrijgekomen vloeistoffen en de Skotti zelf met aandacht voor ons milieu overeenkomstig de plaatselijke verwijderingsvoorschriften en milieuwetten.

Instructies hierover kan u uw gashandelaar en de plaatselijke autoriteit geven.

Innhold

1	Innledning	2
1.1	Slik forklarer vi Skotti for deg	2
1.2	Her må du være forsiktig	3
2	Din Skotti i data	3
3	For din sikkerhet - må du vite dette.....	4
3.1	Du kan bruke Skotti til dette.....	4
3.2	Du kan ikke gjøre det med Scotti	4
3.3	Risiko for varme overflater.....	5
3.4	Risiko for barn	5
3.5	Risiko ved gass	5
3.6	Brannrisiko	6
4	Alt dette hører til din Skotti	7
5	Slik setter du opp din Skotti	8
5.1	Hvor bør du sette opp din Skotti?	8
5.2	Monter Skotti	8
5.3	Sett på grillristen	10
5.4	Med grillkull eller grilltre.....	10
5.5	Koble til gass	11
5.6	Bytt gassbeholderen	12
6	Slik bruker du din Skotti	13
6.1	Sjekk før du tenner opp	12
6.2	Opptenning	14
6.3	Grill-Tipps.....	15
7	Når det ikke ordner seg helt.....	15
8	Slik oppbevarer du din Skotti videre.....	16
9	Slik tar du vare på din Skotti	17
10	Vår garanti for din Skotti	18
11	Avhending og gjenvinning.....	18

1 Innledning

Denne brukerhåndboken gir sikker og effektiv bruk av Skotti. Den inneholder også viktig informasjon om hvordan du utfører vedlikehold av Skotti.

Viktig

Les denne bruksanvisningen nøye for å bli kjent med Skotti før du kobler den til gassbeholderen eller gassflasken. Oppbevar bruksanvisningen slik at du kan lese dem igjen eller gi den videre til andre brukere.

Produsent

Vennskap GmbH & Co.KG
In der Loh 36 c
40668 Meerbusch
+49 (0) 2150-7076910
www.skotti-grill.eu



1.1 Slik forklarer vi Skotti for deg

Når du må gjøre noe

For å utføre en handling, gjør følgende:

1. Gjør dette.
2. Gjør det.
➔ Dette mellomresultatet er resultatet av det.
3. Gjør det.
✓ Du har utført handlingen.

Listene er presentert som følger

- Liste 1.

1.2 Her må du være forsiktig



FARE

Indikerer en farlig situasjon som vil føre til alvorlig personskade eller død.

- ▶ Tiltak for å unngå fare



Tipp

- ▶ Brukertips og nyttig informasjon

2 Din Skotti i data

Enhetsbetegnelse	Mobil gassgrill type Skotti	
Dimensjoner	Grillrist (L x B)	30,4 x 21 cm
	Ferdigmontert (L x B x H)	33,6 x 21,9 x 17,6 cm
	Pakket veske (L x B x H)	45 x 30 x 3,5 cm
Varmeeffekt	2,3 ... 2,5 kW 172 ... 187 g/h	
Vekt uten gassbeholder	3 kg	
Tillatt gassbeholder	EN 417 skruepatron med 7/16 x 28 UNEF-gjenger (butan / propangassblanding)	
Materiale	1 mm rustfritt stål for grillhuset, 3 mm rustfritt stål for grillristen, presenningslomme	

Munnstykkets diameter: 0,3 mm

3 For din sikkerhet - må du vite dette

3.1 Du kan bruke Skotti til dette

- Anvend Skotti kun til privat grilling.
- Bruk bare Skotti utendørs.
- Bruk Skotti som en gassgrill kun med en kommersielt tilgjengelig propan / butan gassblanding i henhold til EN 417. Den gjenlukkbare gassbeholderen må ha en passende gjenge for gassregulatoren din (7/16 x 28 UNEF-gjenge).
- Bruk kun godkjente skruepatroner opp til maks. 500 g.
- Tilkobling av andre gassbeholdere eller gassblandinger kan være meget farlig.
- Alternativt kan Skotti brukes med kull eller tre.

3.2 Du kan ikke gjøre det med Skotti

- Ikke bruk Skotti for kommersiell grilling.
- Bruk aldri Skotti med naturgass.
- Mens du bruker Skotti, kan du ikke (🔧) løsne eller demontere gassregulatoren eller andre deler.
- Skyv eller bygg **aldri** Skotti inn i en konstruksjon. En uhindret luftutveksling må alltid være garantert. Ellers kan det føre til brann eller eksplosjon, som kan føre til alvorlige eller til og med fatale skader og omfattende materielle skader.
- Gjør **aldri** endringer eller reparasjoner på Skotti. Dette kan føre til farer og ugyldiggjøre garantien. Skotti må alltid repareres av fagfolk; Du finner vår adresse i kapittel "1 Innledning".

3.3 Risiko for varme overflater

- Ikke berør Skotti under bruk eller like etter grilling. Skotti og alle dens deler kan bli veldig varme.
- Skotti må også være under oppsyn etter grilling - til grillen er avkjølt. På sommeren tar dette ca. 20 minutter. Ellers kan det føre til ulykke, brannskade eller brann.

3.4 Risiko for barn

- Skotti må **ikke** brukes av barn.
- Hold barn unna Skotti, også mens den kjøles ned etter grilling.

3.5 Risiko ved gass

- Merk instruksjonene på gassbeholderen.
- Oppbevar **aldri** gassbeholdere i nærheten av Skotti.
- Transporter og oppbevar alltid gassbeholdere forsiktig. Selv en tilsynelatende tom gassbeholder kan fremdeles inneholde gass.
- Bruk **aldri** Skotti dersom gasstilførselen eller tetninger er defekt eller feil.
- Sjekk for gasslekkasjer bare med en såpevannsløsning, f.eks. i en sprayflaske. Spray de aktuelle delene og åpne gassregulatoren. Små bobler vil dukke opp ved lekkasjer. Anvend **aldri** en flamme for å kontrollere gasslekkasjer. Det kan føre til en stikkflamme eller eksplosjon.
- Skad **aldri** gassbeholderen. Det kan føre til en eksplosjon.
- La bulkete eller rustne gassbeholdere sjekkes av din gassleverandør før bruk.
- Ved lave temperaturer kan ikke flytende gass omdannes lenger. Dette betyr: Det brenner dårligere. Om vinteren anbefaler vi derfor at du bruker spesiell vintergass eller kraftgass.



Fare for eksplosjon, brann og fatale skader på grunn av gass.

- ▶ Så snart det lukter gass:
Vri gassregulatoren umiddelbart mot høyre (↻).
Koble slangen fra gassbeholderen.
Slukk straks åpne flammer, sigaretter osv.
- ▶ Hvis du fortsetter å lukte gass:
Hold avstand mellom Skotti og gassbeholderen.
Informér gassleverandøren og / eller brannvesenet.

3.6 Brannrisiko

- Bruk **aldri** Skotti uten tilsyn.
- Bruk **aldri** Skotti på en brennbar overflate, for eksempel en klut.
- Ved grilling, hold alltid trygg avstand fra mulige faresoner som for eksempel lettantennelige stoffer: alltid 10 meter min.
- Legg aldri brennbare deler på Skotti når den er i bruk eller mens den fremdeles er varm.



Livsfare på grunn av fettbrann er mulig.

- ▶ I tilfelle av en fett brann:
Behold roen.
Hvis det er mulig, slå av gasstilførsel (↻).
- ▶ Bruk et spesielt brannslukningsapparat, sand, natron, eller bakepulver for å slukke.
- ▶ Prøv **aldri** å slukke en fettbrann med vann eller mel.
Sannsynligheten for en ukontrollerbar stikkflamme eller eksplosjon er ekstremt høy.
- ▶ Bring deg selv og andre i sikkerhet.
- ▶ Ring brannvesenet på nummer 110 fra fasttelefonen og mobilnettet.
Sikre fareområdet før brannvesenet kommer uten fare for deg selv eller andre.

4 Alt dette hører til din Skotti



Bilde 1 Alt dette hører til din Skotti

Pos.	Beskrivelse
1	1 x grillrist
2	1 x strålingsplate
3	1 x brennerrør
4	1 x gasslange med skrueregulator
5	1 x fotdel med honeycomb tenning og flamme kontroll hull
6	2 x lange sidepaneler med logo og føtter
7	1 x øvre seksjon med rundt hull
8	1 x bunndel

5 Slik setter du opp din Skotti

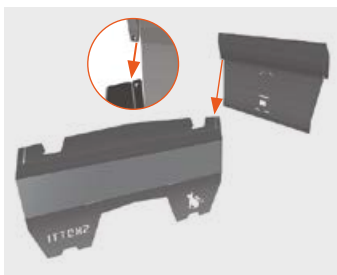
5.1 Hvor bør du sette opp din Skotti?

Legg merke til følgende punkter når du velger grillområdet:

- Skotti og alle dens deler kan bli veldig varme slik at du ikke kan flytte den. Før du tenner den, bør du vurdere om grillområdet oppfyller sikkerhetskravene.
- Plasser Skotti på et jevnt og stabilt underlag og sørg for at Skotti har min. klaring til gulvet. Ellers kan gass som har sluppet ut og ikke har antent ikke slippe ut nedover. Dette kan forårsake en eksplosjon.
- Hvis Skotti synker eller står skjevt på sand, snø, is eller en skrånende overflate, kan du bruke kantene i stativflatene for å gjøre den stabil og rette den opp med et stykke tre eller stein.
- Følg alltid monteringsanvisningen: Feil montering av Skotti skaper uforutsette farer for deg og andre.

5.2 Monter Skotti

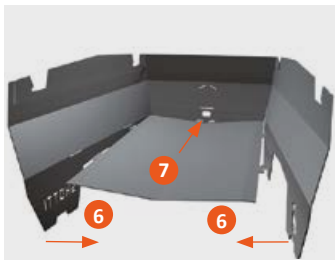
For å montere Skotti grill, gjør som følger:



1. Sett inn den lange sidedelen (6) på siden med Skotti-logoen og den korte fotdelen (5) med honeycomb hullet på forbindelsesleddet. Begge deler er merket med en liten trekant ved koblingsleddet.
2. Sett inn fotdelen (5) og den andre langsideseksjonen (6) inn i hverandre ved den smale forbindelsesleddet på siden med Skotti-logoen.

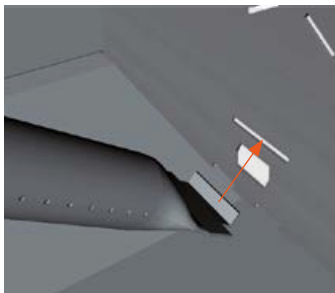


3. Plasser den bunndelen (8) med kurven nede mellom de tre monterte delene. Den glatte kanten må være foran, krokene og tappene på nivået av sporene.
4. Først settes krokene inn i sporene på sidepanelene (6).
5. Sett tappene i sporene i fotdelen (5).



6. Skyv den bunndelen (8) så nær bunndelen (5) at krokene får tak i siden, og de to fremre tappene på den nederste delen glir inn i de matchende sporene i fotdelen.

7. Før brennerrøret (3) med sammentrykt side i en bratt vinkel og med tappene opp i det ca. 3 cm lange sporet over det honeycomb hullet.



8. Plasser brennerrøret (3) på bunndelen (8) uten å bruke makt.

9. Plasser strålingsplaten (2) over brennerrøret (3) som et tak.

10. Sett tappene på den perforerte siden inn i de to skrå sporene på fotdelen (5).

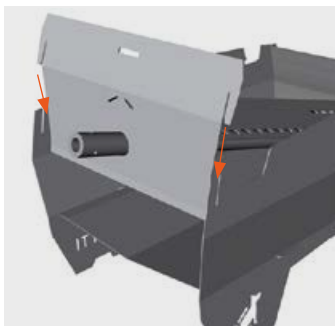


11. Plasser også strålingsplaten (2) på den bunndelen (8).

12. Ta den løse øvre seksjon (7) med det runde hullet og plasser den på den runde enden av brennerrøret (3).

Den buede siden må vende innover.

13. Løft den øvre seksjonen (7) oppover og sett de to tappene på strålingsplaten (2) inn i de to skrå sporene i den øvre seksjonen.



14. Plasser forbindelsesleddene til den øvre seksjon (7) direkte over sideseksjonene (6) og skyv den øvre seksjonen ned.

✓ Resultatet er en grillkurv på samme side.



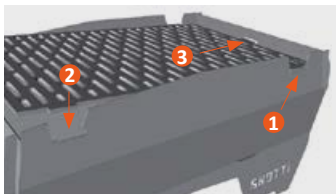
Tips

- ▶ På www.skotti-grill.eu vil du finne den aktuelle videoen.



5.3 Sett på grillristen

For å plassere grillristen, gjør du slik:



1. Plasser Skotti foran deg, slik at den runde enden av brennerrøret (3) peker til høyre.
 2. Ta grillristen (1) i hånden slik at Skotti-logoen er nederst til høyre.
 3. Plasser grillristen (1) først på høyre side i de tilpassede utsparingene.
 4. La grillristen (1) gli inn i utsparingene til venstre.
 5. Skyv grillristen (1) litt mot høyre ved tappene i utsparingene.
- ✓ Etter et hørbart klikk, er grillen låst og stabil.

5.4 Med grillkull eller grilltre



Brannfare er mulig ved feil bruk.

- ▶ Bruk aldri brennerrøret til å tenne opp kull eller tre.
- ▶ Plasser aldri Skotti i transportvesken. Hvis du griller med kull eller tre - temperaturene er høyere enn når du griller med gass.

For å bruke Skotti med kull eller tre, gjør du slik:

1. Fjern brennerrøret (3) sammen med strålingsplaten (2) før du griller med kull eller tre.
 2. Plasser grillristen (1) bare for å grille over lav flamme på Skotti.
- ✓ Nå kan du bruke Skotti med kull eller tre.



Tips

- ▶ Selv om det er mulig - for å beskytte miljøet anbefaler vi: Bruk Skotti kun med gass.

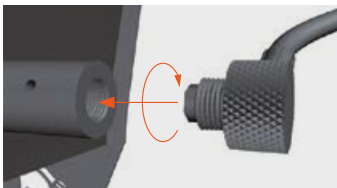
5.5 Koble til gass



Fare liv på grunn av uriktig bruk av gassbeholder mulig.

- ▶ Bruk Skotti som gassgrill kun med en kommersielt tilgjengelig blanding av propan / butangass i henhold til EN 417 med en maksimal fyllingsvekt på 500 gram.
- ▶ Den gjenlukkbare gassbeholderen må ha en passende gjenge for gassregulatoren din (7/16 x 28 UNEF-gjenge).
- ▶ Før du kobler til, må du sørge for at pakningene mellom Skotti og gassbeholderen er på plass og i perfekt stand. Bruk aldri Skotti med ødelagte eller slitte pakninger.
- ▶ Koble bare til gassbeholdere utendørs og i sikker avstand fra antenneskilder.
- ▶ Unngå vridningstress på gaslangen.

For å koble til gassen, gjør du som følger:



1. Vri enden med gassdysen med klokken og forsiktig på den runde enden av Skotti-brennerrøret. Enden skal sitte tett uten å anvende for mye krefter.



2. Lukk gasskranen ved å vri den for hånd til høyre (↻), før du kobler til gassbeholderen.

3. Vri gassbeholderen på gassregulatoren og **ikke** omvendt.

✓ Gassen er tilkoblet.

5.6 Bytt gassbeholderen



Fare liv på grunn av uriktig bruk av gassbeholder mulig.

- ▶ Kontroller **før** du løsner gassbeholderen at brenneren har slukket.
- ▶ Kontroller **før** bytte av gassbeholderen at den er tom, f.eks. rist slik at væskeskvalping kan høres.
- ▶ Bytt gassbeholder **kun** utendørs og i sikker avstand fra antennelseskilder og andre mennesker.
- ▶ Unngå vridningstress på gasslangen.

For å bytte gassbeholder, gjør du som følger:



1. Lukk gasskranen ved å vri den for hånd til høyre (↻), før du løsner gassbeholderen.
2. Vri gassbeholderen fra gassregulatoren og **ikke** omvendt.

➔ Gassbeholderen er fjernet.



3. Før du kobler til, må du sørge for at pakningene mellom Skotti og gassbeholderen er på plass og i perfekt stand. Bruk aldri Skotti med ødelagte eller slitte pakninger.
 4. Vri den nye gassbeholderen på gassregulatoren og **ikke** omvendt.
- ✓ Gassbeholderen er byttet.

6 Slik bruker du din Skotti

6.1 Sjekk før du tenner opp

For å utføre sikkerhetskontroller hver gang du tenner opp, fortsett som følger:

1. Sjekk at brennerrøret **ikke** er blokkert.
Løsne sikringene før du bruker Skotti.
 2. Kontroller at gassforseglingene og gasslangen er gode.
 3. **Ikke** tenn Skotti under en lekkasjetest.
 4. En såpe- og vannoppløsning i en sprayflaske er egnet for lekkasjetesten.
 5. Bruk den til å spraye gasslangen og forbindelsene mellom Skotti og gassbeholderen.
 6. Åpne gassregulatoren.
➔ Hvis det er noen lekkasjer, vil små bobler vises.
 7. Hvis det er lekkasjer, vri gassregulatoren til høyre (↻) og skru ut gassbeholderen.
Bruk **ikke** Skotti.
 8. Før du tenner opp, må du forsikre deg om at alle delene er riktig montert.
 9. Før du tenner opp, fjern fett fra Skotti som kan ha kommet fra tidligere grilling. Fettbranner er farlige og må unngås.
- ✓ Hvis alt fungerer bra, kan du tenner opp Skotti.

6.2 Opptenning



Livsfare gjennom feil bruk og uforsiktighet mulig.

- ▶ Under drift skal Skotti **ikke** utsettes for sterk vind. Tenningen og flammekontrollhullet skal alltid vende bort fra vinden.
- ▶ Pass på deg selv og klærne dine når du tenner opp. Under forvarming eller hvis Skotti og / eller gassbeholderen ristes kraftig, kan gassen komme ut i flytende form og forårsake stikkflammer. For eksempel kan langt hår eller løse klær raskt antennes.

For å tenne opp Skotti, gjør følgende:

1. Vri gassregulatoren på gassbeholderen litt til venstre (↶), til du hører gassen strøkke.
2. Tenn gassen i brennerrøret etter ca. 1 - 2 sekunder med en tenner eller en fyrstikk gjennom honeycombteningen og flammehullet på Skotti-fotdelen.



Fare for eksplosjon, brann og fatale skader på grunn av gass.

- ▶ Hvis man ikke kan tenne gassen i brennerrøret i løpet av 4 sekunder, stopp opptenningen, f.eks på grunn av vind, en defekt lighter, fyrstikk etc.
 - ▶ Drei gassregulatoren mot høyre (↷).
 - ▶ Vent minst 1 minutt - slik at gassen kan slippe ut av grillhuset. Ellers er det en akutt fare for eksplosjon.
3. Kontroller gjennom tenn- og flammehullet **etter** hvert tenningsforsøk om gassen i brennerrøret er antent.
 4. Hvis flammene slukker, må du straks vri gassregulatoren mot høyre (↷).



Fare for forbrenning fra varme overflater.

- ▶ Skotti er trolig fortsatt veldig varmt. Ikke berør noen del av Skotti når du tenner opp.
5. Vent minst 1 minutt før du tenner igjen.
- ✓ Ha det gøy med grilling.

6.3 Grill-Tipps

Du kan sette Skotti i gass-modus i transportvesken.

Dette kan fange opp alt fett som renner ned og kan lett tørkes av.

Forvarm alltid Skotti før bruk. Med Skotti går det veldig raskt. Du kan kjapt grille etter bare 2 minutter.

Skotti har ingen gasstrykkregulator. Vi har bevisst utelatt dette under utviklingen.

Området over tennings- og flammekontrollhullet er ofte litt mindre varmt. På denne måten kan du holde ferdiggrillet mat varm, eller plassere grillmat som krever mindre varme der.

Avhengig av vær- og vindforhold, kan dette området være litt varmere eller kaldere. Bare test det ut.

Bruk vintergass eller kraftgass ved temperaturer under 10 ° C. Dette kan også strømme ut bedre selv ved lavere temperaturer på grunn av de strukturelle egenskapene til patronen og gassblandingen.

7 Når det ikke ordner seg helt

Gass i brennerrøret lar seg ikke antennes

- Unngå direkte eksponering for vind.
- Anvend en fungerende lighter eller fyrstikk.
- Etter utkobling av gassregulator, sjekke om det er fremdeles gass i patronen.

Varmefordelingen er ujevn

- Sett Skotti i ly for vinden.

Skotti ikke utvikler den vanlige varme

- Hvis det er kaldere enn 10 ° C, bruk vintergass eller kraftgass (disse tilbys av individuelle produsenter).

Gule flammer skyter ut under strålingsplaten

- Reduser gassen (vri gassregulatoren litt til høyre).

Det er stikkflamme

- Legg **aldri** aluminiumsfolie i Skotti.
- Grillkammeret kan være skittent. Rengjør dette.

8 Slik oppbevarer du din Skotti videre

Så snart Skotti er avkjølt, kan du bare legge alle delene tilbake i den vaskbare vesken for å spare plass.

For å demontere Skotti, gjør følgende:

1. Forsikre deg om at gassregulatoren er dreid mot høyre (🔴) og at delene ikke lenger er varme.
 2. Skru av gassbeholderen fra gassregulatoren.
 3. Drei enden med gassdysen mot klokken fra den runde enden av Skotti-brennerrøret (3).
 4. Stå foran Skotti, slik at den runde enden av brennerrøret (3) peker til høyre.
 5. Bruk pekefingerne til å løfte de to tappene på grillristen (1) som er i venstre utsparing.
 6. Trekk grillristen(1) litt til venstre og løft den samtidig litt opp.
➔ Grillen er ulåst.
 7. Løft den øvre seksjonen (7) med brennerrørets (3) runde ende oppover og løsne den fra strålingsplaten (2) og brennerrøret.
 8. Trekk strålingsplaten (2) ut av sporene i fotdelen (5).
 9. Løft brennerrøret (3) litt i den runde enden og trekk den sammentrykte enden ut av spalten i fotdelen (5) i bratt vinkel og uten å bruke makt.
 10. Trekk bunnplaten (8) ut fra fotdelen (5) og sidedeler (6) og plasser den skitne siden på grillristen(1).
 11. Trekk bunndelen (8) ut av de to lange sidedelene (6) og fotdelen (5).
 12. Trekk de to langsidedelene (6) ut av fotdelen (5).
- ✓ Skotti er demontert.



Tips

- ▶ Vi anbefaler at du setter delene tilbake i Skotti vesken som følger: Rist / bunndel (som et tak over) / 2 sidedeler / den øvre- og fotdel / strålingsplaten.

9 Slik tar du vare på din Skotti

Rengjøring av din Skotti

Du kan sette alle deler av Skotti - unntatt brennerrøret og gassslangen med dyse og gassregulator - i oppvaskmaskinen.

Skotti-vesken også, selvfølgelig.

Dette gjør rengjøring moro og det tar liten tid.

- Før rengjøring må du kontrollere at rengjøringsmidlene er egnet for en overflate i rustfritt stål. Ellers kan det oppstå riper.
- Rengjøring i oppvaskmaskinen er ikke nok for mye innbrente deler. Først skal du legge disse delene en stund i såpevann.
- Slik at Skotti blir veldig ren igjen, anbefaler vi såpe pads laget av stålull for overflater av rustfritt stål eller annen grill eller ovnsrens. Med liten innsats og til en lav pris løser disse også innbrent mat - og Skotti vil skinne i ny prakt igjen.
- Når du rengjør ventilen eller brennerrøret, må du **ikke** "utvide" ventil-dysene eller den runde enden av brennerrøret.
- Rengjør brennerrøret når gassslangen er skrudd ut, ellers kan gassdysen tette seg.
- Hvis dysehullene på brennerrøret tetter seg over tid, børstes de forsiktig av med en kobberbørste og riste på røret med åpningen ned.

Vedlikehold av Skotti

Hver 3 måned må du ta vare på din Scotti slik at den holder seg i optimal tilstand:

- Kontroller innsiden av brennerrøret og rengjør det hvis det er skittent eller tett.
- Kontroller gassslangen og bytt den hvis den er skadet eller lekker.
- Kontroller pakningene og bytt dem hvis de er skadet eller slitt.

10 Vår garanti for din Skotti

Hos Vennskap gir vi deg to års garanti for alle deler av Skotti fra kjøpsdatoen. Det gjelder for:

- Gasslange med gassdyse og gassregulator
- Brennerrør
- Skotti-veske

Men siden vi er mer enn overbevist om enheten vår, utvider vi til og med garantien. Vi gir deg:

- 5 års garanti for Skotti grillhus med grillrist

Vår garanti gjelder bare hvis Skotti er satt opp, brukt og tatt vare på i samsvar med denne bruksanvisningen, og vi etter vår inspeksjon fastslår at enheten eller de enkelte delene virkelig er feil. Vi vil da reparere eller bytte ut hele enheten eller defekte enkeltdeler gratis. Ta alltid kontakt med oss direkte i tilfelle av en klage.

For en klage du må bevise kjøpsdato (dvs.: Ta vare på fakturaen!) Og legge til en beskrivelse av feilen / problemet skriftlig. Dersom vi ber deg sende inn de defekte delene, betaler du fraktkostnadene. Vi vil da sende deg reparerte eller erstatningsdeler tilbake og betale fraktkostnadene.

Du finner mer informasjon på nettstedet vårt:

www.skotti-grill.eu



11 Avhending og gjenvinning

Kast brukte gassbeholdere, væsker som oppstår ved rengjøring og Skotti selv med hensyn til miljøet i henhold til lokale avhendingsregler og miljølover.

Din gassforhandler og kommunen kan gi deg informasjon om dette.

Treść

1	Wprowadzenie	2
1.1	Objaśniamy Skotti	2
1.2	Tutaj trzeba uważać	3
2	Dane techniczne Skotti.....	3
3	Dla własnego bezpieczeństwa – to trzeba wiedzieć	4
3.1	Do czego można używać Skotti	4
3.2	Czego nie wolno robić ze Skotti.....	4
3.3	Ryzyka spowodowane gorącymi powierzchniami.....	5
3.4	Ryzyka dla dzieci	5
3.5	Ryzyka spowodowane gazem.....	5
3.6	Zagrożenia spowodowane pożarem	6
4	To wszystko należy do Skotti	7
5	Sposób montażu Skotti	8
5.1	Gdzie montować grilla Skotti?	8
5.2	Montaż Skotti.....	8
5.3	Zakładanie rusztu grilla	10
5.4	Grillowanie z użyciem węgla drzewnego lub drewna	10
5.5	Podłączanie gazu.....	11
5.6	Wymiana jednorazowej butli gazowej	12
6	Sposób użytkowania Skotti	13
6.1	Kontrola przed zapaleniem	13
6.2	Zapalanie.....	14
6.3	Porady dotyczące grillowania	15
7	Jeżeli czasem nie wszystko się udaje	15
8	Sposób przechowywania Skotti.....	16
9	Sposób pielęgnacji Skotti	17
10	Nasza gwarancja dla Skotti.....	18
11	Utylizacja i recykling	18

1 Wprowadzenie

Niniejsza instrukcja obsługi umożliwi bezpieczne i skuteczne korzystanie ze Skotti. Poza tym zawiera ważne wskazówki dotyczące pielęgnacji Skotti.

Ważne

Przed podłączeniem Skotti do jednorazowej butli gazowej lub butli gazowej przeczytaj uważnie instrukcję obsługi, aby poznać urządzenie. Zachowaj instrukcję obsługi do ponownego przeczytania lub przekazania innym użytkownikom.

Producent

Vennskap GmbH & Co.KG
In der Loh 36 c
40668 Meerbusch
+49 (0) 2150-7076910
www.skotti-grill.eu



1.1 Objaśniamy Skotti

Jeżeli musisz coś zrobić

Aby wykonać czynność, postępuj w poniższy sposób:

1. Zrób to.
2. Zrób tamto.
➔ Ten efekt pośredni jest wynikiem tego.
3. Zrób kolejną rzecz.
✓ Czynność została wykonana.

Wyliczenia są przedstawione w poniższy sposób

- Wyliczenie 1. stopnia

1.2 Tutaj trzeba uważać



NIEBEZPIECZEŃSTWO

Wskazuje na niebezpieczną sytuację, która powoduje poważne obrażenia ciała lub śmierć.

- ▶ Działania pozwalające uniknąć niebezpieczeństwa



Porada

- ▶ Porady dotyczące zastosowania i przydatne informacje

2 Dane techniczne Skotti

Nazwa urządzenia		Przenośny grill gazowy typu Skotti
Wymiary	Ruszt grilla (dł. x szer.)	30,4 x 21 cm
	Po zamontowaniu (dł. x szer. x wys.)	33,6 x 21,9 x 17,6 cm
	Zapakowana torba (dł. x szer. x wys.)	45 x 30 x 3,5 cm
Moc		2,3 ... 2,5 kW 172 ... 187 g/h
Ciężar bez jednorazowej butli gazowej		3 kg
Dozwolona jednorazowa butla gazowa		Jednorazowa butla wkręcana EN 417 z gwintem UNEF 7/16 x 28 (mieszanka butanu/propanu)
Materiał		Stal szlachetna 1 mm w korpusie grilla, stal szlachetna 3 mm na ruszcie grilla, torba brezentowa

Średnica dyszy: 0,3 mm

3 Dla własnego bezpieczeństwa – to trzeba wiedzieć

3.1 Do czego można używać Skotti

- Używaj Skotti tylko do grillowania prywatnego.
- Używaj Skotti wyłącznie na zewnątrz.
- Używaj Skotti jak grill gazowy wyłącznie z powszechnie dostępną mieszanką propanu/butanu wg EN 417. Zamykana jednorazowa butla gazowa musi mieć gwint pasujący do regulatora gazu (gwint UNEF 7/16 x 28).
- Stosuj tylko dozwolone jednorazowe butle gazowe do maks. 500 g.
- Podłączanie innych zbiorników gazu lub mieszanek gazu może być bardzo niebezpieczne.
- Używaj Skotti alternatywnie z węglem drzewnym lub drewnem.

3.2 Czego nie wolno robić ze Skotti

- **Nie** używaj Skotti do grillowania komercyjnego.
- **Nigdy** nie używaj Skotti z gazem ziemnym.
- Podczas używania Skotti **nie** wolno odłączać i demontować regulatora gazu (☹) ani innych części.
- **Nigdy** nie wsuwaj ani nie montuj Skotti w innej konstrukcji. Należy zawsze zapewniać wymianę powietrza bez przeszkód. W przeciwnym razie może dojść do pożaru lub wybuchu, skutkującego poważnymi, a nawet śmiertelnymi obrażeniami ciała i dużymi stratami materialnymi.
- **Nigdy** nie wprowadzaj modyfikacji w Skotti ani nie wykonuj napraw. Może to spowodować niebezpieczeństwa i wygaśnięcie gwarancji. Naprawę Skotti zlecaj specjalistom; nasz adres podany jest w rozdziale „1 Wprowadzenie”.

3.3 Ryzyka spowodowane gorącymi powierzchniami

- Nie dotykaj Skotti podczas użytkowania ani bezpośrednio po grillowaniu. Skotti i wszystkie pojedyncze części mogą się bardzo rozgrzać.
- Również po grillowaniu Skotti musi być pod nadzorem do ostygnięcia. Latem trwa to ok. 20 minut.
W przeciwnym razie może dojść do wypadków, oparzeń lub pożarów.

3.4 Ryzyka dla dzieci

- Skotti **nie** może być obsługiwany przez dzieci.
- Nie pozwalaj zbliżać się dzieciom do Skotti, nawet podczas schładzania po grillowaniu.

3.5 Ryzyka spowodowane gazem

- Przestrzegaj wskazówek na jednorazowej butli gazowej.
- **Nigdy** nie przechowuj jednorazowych butli gazowych w pobliżu Skotti.
- Jednorazowe butle gazowe transportuj i przechowuj zawsze ostrożnie. Nawet w pozornie pustej jednorazowej butli gazowej może jeszcze znajdować się gaz.
- **Nigdy** nie używaj Skotti, jeżeli dopływ gazu lub uszczelki są uszkodzone bądź niesprawne.
- Wyszukaj wycieków gazu roztworem wody i mydła, np. przygotowanym w butelce do spryskiwania.
Spryskaj odpowiednie części i otwórz regulator gazu. W miejscach nieszczelnych pojawiają się drobne pęcherzyki.
Nigdy nie używaj płomienia do wyszukiwania nieszczelności gazu. Może dojść do wybuchu lub pojawienia się płomienia strzelającego w górę.
- **Nigdy** nie powoduj uszkodzeń jednorazowej butli gazowej. Może dojść do wybuchu.
- Przed użyciem zleć dostawcy gazu sprawdzenie wgniecionych lub zardzewiałych jednorazowych butli gazowych.
- W niskich temperaturach gaz płynny nie będzie się dobrze przekształcał. To oznacza, że spala się gorzej. Dlatego zimą zalecamy stosowanie specjalnego gazu zimowego lub gazu zasilającego.



Możliwe niebezpieczeństwo wybuchu, pożaru i śmiertelnych obrażeń ciała spowodowanych gazem.

- ▶ Po wyczuciu zapachu gazu:
Obróć natychmiast regulator gazu w prawo (↻).
Odłącz wąż od jednorazowej butli gazowej.
Natychmiast zgaś otwarte płomienie, papierosy itd.
- ▶ Jeżeli dalej wyczuwalny jest zapach gazu:
Zachowaj odstęp od Skotti i jednorazowej butli gazowej.
Poinformuj dostawcę gazu i/lub straż pożarną.

3.6 Zagrożenia spowodowane pożarem

- **Nigdy** nie używaj Skotti bez nadzoru.
- **Nigdy** nie używaj Skotti na palnym podłożu, np. płachcie.
- Podczas grillowania zachowaj bezpieczne odstępów od możliwych stref zagrożenia, takich jak łatwopalne materiały: zasadniczo min. 10 metrów.
- Nigdy nie kładź na Skotti palnych części, jeżeli jest on używany lub jeszcze gorący.



Możliwe zagrożenie życia z powodu zapalenia tłuszczu.

- ▶ Jeżeli dojdzie do zapalenia tłuszczu:
zachowaj spokój.
W miarę możliwości odetnij dopływ gazu (↻).
- ▶ Do gaszenia używaj specjalnej gaśnicy, piasku, natronu lub proszku do pieczenia.
- ▶ **Nigdy** nie próbuj gasić zapalonego tłuszczu wodą lub mąką.
Prawdopodobieństwo niekontrolowanego płomienia strzelającego w górę lub wybuchu jest bardzo duże.
- ▶ Zapewnij bezpieczeństwo sobie i innym.
- ▶ Wezwij straż pożarną pod obowiązującym w UE numerem 112 z telefonu stacjonarnego i komórkowego.
Do czasu przyjazdu straży pożarnej odgrodź strefę zagrożenia, nie powodując niebezpieczeństwa dla siebie lub innych.

4 To wszystko należy do Skotti



Zdjęcie 1 *Todo lo que incluye tu Skotti*

Poz.	Nazwa
1	1 x ruszt grilla
2	1 x płyta odbijająca
3	1 x rura palnika
4	1 x wąż gazu z regulatorem śrubowym
5	1 x część dolna z otworem kontrolnym zapłonu i płomienia w kształcie plastra miodu
6	2 x długie części boczne z logotypem i nóżkami
7	1 x część górna z okrągłym otworem
8	1 x część spodnia

5 Sposób montażu Skotti

5.1 Gdzie montować grilla Skotti?

Podczas wyboru miejsca grillowania uwzględnij poniższe zasady:

- Skotti i wszystkie pojedyncze części mogą się bardzo rozgrzać i nie będzie można ich przemieszczać. Zastanów się przed zapaleniem, czy miejsce do grillowania spełnia wymagania bezpieczeństwa.
- Ustaw Skotti na prostym i stabilnym podłożu oraz zwróć uwagę, że Skotti musi mieć co najmniej 5 cm wolnej przestrzeni od ziemi. W przeciwnym razie wydostający się gaz, który nie zapalił się, nie będzie mógł ulatniać się w dół. Może to spowodować wybuch.
- Jeżeli Skotti zapadnie się w piasku, śniegu, lodzie lub nierównym podłożu bądź będzie krzywo ustawiony, użyj krawędzi powierzchni ustawienia, aby przy pomocy kawałka drewna lub kamienia wyrównać go prosto i stabilnie.
- Przestrzegaj zawsze instrukcji obsługi: w przypadku nieprawidłowego montażu Skotti powstają nieprzewidziane niebezpieczeństwa dla siebie i innych.

5.2 Montaż Skotti

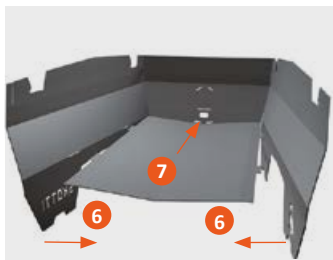
Aby zmontować grill Skotti, wykonaj poniższe czynności:



1. Włóż długą część boczną (6) na stronie z logotypem Skotti w krótką część dolną (5) z otworem w kształcie plastra miodu na szczelinie połączeniowej. Obydwie części są oznaczone na szczelinie połączeniowej małym trójkątem.
2. Włóż część dolną (5) w drugą długą część boczną (6) w wąskiej szczelinie połączeniowej na stronie z napisem Skotti.

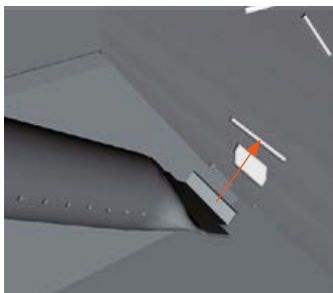


3. Połóż część spodnią (8) wybrzuszeniem do dołu między trzema zamontowanymi częściami. Gładka krawędź musi być z przodu, haczyki i noski na wysokości szczeliny.
4. Wstaw najpierw haczyki w szczelinę części bocznych (6).
5. Wstaw noski w szczelinę części dolnej (5).



6. Dosuń część spodnią (8) tak blisko części dolnej (5), aby haczyki zostały przytrzymane z boku, a dwa przednie noski na części spodniej wsunęły się do pasującej szczeliny części dolnej.

7. Wprowadź rurę palnika (3) zgniecioną stroną pod kątem ostrym i z noskiem do góry w szczelinę o długości około 3 cm nad otworem w kształcie plastra miodu.



8. Odłóż rurę palnika (3) bez użycia siły na część spodnią (8).

9. Połóż płytę odbijającą (2) jak dach na rurę palnika (3).

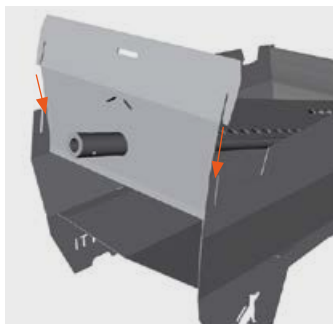
10. Włóż noski strony z otworami w dwie skośne szczeliny części dolnej (5).



11. Odłóż płytę odbijającą (2) bez użycia siły na część spodnią (8).

12. Zabierz luźną część górną (7) z okrągłym otworem i włóż ją na okrągły koniec rury palnika (3). Strona wybrzuszona musi być skierowana do wewnątrz.

13. Podnieś część górną (7) i włóż obydwie noski płyty odbijającej (2) w dwie szczeliny ukośne części górnej.



14. Załóż szczeliny połączeniowe części górnej (7) bezpośrednio na szczeliny części bocznych (6) i dociśnij część górną do dołu.

✓ Powstaje kosz grilla o równych bokach.



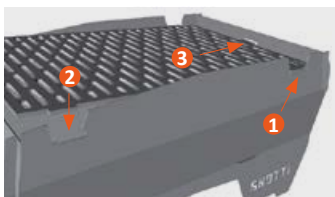
Porada

► Na www.skotti-grill.eu znajduje się odpowiedni film.



5.3 Zakładanie rusztu grilla

Aby założyć ruszt grilla, postępuj w poniższy sposób:



1. Ustaw Skotti przed sobą tak, aby okrągły koniec rury palnika (3) był skierowany w prawo.
 2. Weź ruszt grilla (1) w rękę, aby logo Skotti znalazło się w prawym dolnym rogu.
 3. Włóż ruszt grilla (1) najpierw z prawej strony w przeznaczone do tego wycięcia.
 4. Przesuń ruszt grilla (1) w lewo w wycięcia.
 5. Wsuń ruszt grilla (1) za noski w wycięciach lekko w prawo.
- ✓ Po słyszalnym zatrzaśnięciu grill jest zablokowany i stabilny.

5.4 Grillowanie z użyciem węgla drzewnego lub drewna



Możliwe niebezpieczeństwo pożaru z powodu niewłaściwego użycia.

- ▶ **Nigdy** nie używaj rury palnika do zapalania węgla drzewnego lub drewna.
- ▶ **Nigdy** nie ustawiaj Skotti na torbie transportowej, jeżeli grillujesz z użyciem węgla drzewnego bądź drewna – powstają wyższe temperatury niż podczas grillowania przy użyciu gazu.

Aby korzystać ze Skotti przy użyciu węgla drzewnego lub drewna, wykonaj poniższe czynności:

1. Zdejmij rurę palnika (3) razem z płytą odbijającą (2) przed rozpoczęciem grillowania przy użyciu węgla drzewnego lub drewna.
 2. Zakładaj ruszt (1) na Skotti tylko do grillowania na małym płomieniu.
- ✓ Teraz można używać Skotti z węglem drzewnym lub drewnem.



Porada

- ▶ Nawet jeżeli jest taka możliwość – w celu ochrony środowiska zalecamy: używanie Skotti raczej wyłącznie z gazem.

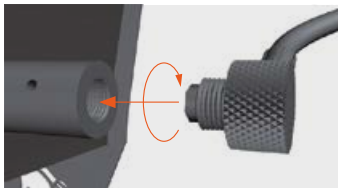
5.5 Podłączanie gazu



Możliwe zagrożenie życia z powodu nieprawidłowych jednorazowych butli gazowych.

- ▶ Używaj Skotti jak grill gazowy wyłącznie z powszechnie dostępną mieszkanką propanu/butanu wg EN 417 z maksymalnym ciężarem napełnienia 500 g.
- ▶ Zamykana jednorazowa butla gazowa musi mieć gwint pasujący do regulatora gazu (gwint UNEF 7/16 x 28).
- ▶ Przed podłączeniem upewnij się, że uszczelki między Skotti a jednorazową butlą gazową są zamontowane i nie są uszkodzone. **Nigdy** nie używaj Skotti z uszkodzonymi lub zużytymi uszczelkami.
- ▶ Podłączaj jednorazowe butle gazowe tylko na zewnątrz i w bezpiecznej odległości od źródeł zapłonu.
- ▶ Unikaj obciążeń skrętnych węża gazu.

Aby podłączyć gaz, postępuj w poniższy sposób:



1. nakręć koniec z dyszą gazu zgodnie z ruchem wskazówek zegara i z wycuciem na okrągły koniec rury palnika Skotti. Koniec powinien być dobrze zamocowany bez używania dużej siły.



2. Zamknij kurek gazu przez ręczne dokręcenie w prawo (↻) przed podłączeniem jednorazowej butli gazowej.
 3. Nakręcaj jednorazową butlę gazową na regulator gazu, a **nie** odwrotnie.
- ✓ Gaz jest podłączony.

5.6 Wymiana jednorazowej butli gazowej



Możliwe zagrożenie życia z powodu nieprawidłowych jednorazowych butli gazowych.

- ▶ Sprawdź **przed** odłączeniem jednorazowej butli gazowej, czy palnik zgasł.
- ▶ Sprawdź **przed** wymianą jednorazowej butli gazowej, czy jest ona pusta, np. potrząśnij, aby słycać było chlupanie cieczy.
- ▶ Wymieniaj jednorazową butlę gazową **tylko** na zewnątrz i w bezpiecznej odległości od źródeł zapłonu oraz innych osób.
- ▶ Unikaj obciążeń skrętnych węża gazu.

Aby wymienić jednorazową butlę gazową, wykonaj poniższe czynności:



1. Zamknij kurek gazu przez ręczne dokręcenie w prawo (↻) przed odłączeniem jednorazowej butli gazowej.
2. Odkręcaj jednorazową butlę gazową z regulatora gazu, a **nie** odwrotnie.

➔ Jednorazowa butla gazowa została zdjęta.



3. Przed podłączeniem upewnij się, że uszczelki między Skotti a jednorazową butlę gazową są zamontowane i nie są uszkodzone.

Nigdy nie używaj Skotti z uszkodzonymi lub zużytymi uszczelkami.

4. Nakręcaj nową jednorazową butlę gazową na regulator gazu, a **nie** odwrotnie.

✓ Jednorazowa butla gazowa została wymieniona.

6 Sposób użytkowania Skotti

6.1 Kontrola przed zapaleniem

Aby przeprowadzić kontrole bezpieczeństwa przed każdym zapaleniem, wykonaj poniższe czynności:

1. Sprawdź, czy rura palnika **nie** jest zapchana.
Usuń zapchanie przed użyciem Skotti.
 2. Sprawdź, czy uszczelki gazu i wąż gazu są sprawne.
 3. **Nie** zapalaj Skotti w trakcie testu szczelności.
 4. Do testu szczelności odpowiedni jest roztwór wody z mydłem w butelce do spryskiwania.
 5. Spryskaj wąż gazu i połączenia między Skotti a jednorazową butlą gazową.
 6. Otwórz regulator gazu.
➔ Jeżeli są nieszczelne miejsca, powstają drobne pęcherzyki.
 7. Jeżeli są nieszczelne miejsca, obróć regulator gazu w prawo (↻) i odkręć jednorazową butlę gazową.
Nie używaj Skotti.
 8. Przed zapaleniem upewnij się, że wszystkie części zostały zamontowane zgodnie z przepisami.
 9. Przed zapaleniem usuń tłuszcz ze Skotti, który mógł pozostać z poprzedniego grillowania. Zapalony tłuszcz jest niebezpieczny i należy go unikać.
- ✓ Jeżeli wszystko działa sprawnie, można zapalić Skotti.

6.2 Zapalanie



Możliwe zagrożenie życia z powodu nieprawidłowego użycia i braku uwagi.

- ▶ Podczas pracy **nie** wystawiać Skotti na działanie zbyt silnego wiatru. Otwór kontrolny płomienia i zapłonu powinien być zawsze odwrócony od wiatru.
- ▶ Podczas zapalania zwracaj uwagę na siebie i odzież. Podczas podgrzewania lub silnego potrząśnięcia Skotti i/lub jednorazową butlą gazową może wyciec gaz płynny i spowodować strzeliste płomienie. Na przykład szybko mogą się zapalić długie rozrzucone włosy lub luźna odzież.

Aby zapalić Skotti, wykonaj poniższe czynności:

1. odkręć regulator gazu na jednorazowej butli gazowej lekko w lewo (↶), aż usłyszysz przepływ gazu.
2. Zapal gaz w rurze palnika po ok. 1–2 sekundach za pomocą zapalniczki lub zapałki przez otwór kontroli płomienia i zapłonu w kształcie plastra miodu na części dolnej.



Możliwe niebezpieczeństwo wybuchu, pożaru i śmiertelnych obrażeń ciała spowodowanych gazem.

- ▶ Jeżeli nie można zapalić gazu w rurze palnika w ciągu 4 sekund, zapłon zostanie przerwany, np. z powodu wiatru, niesprawnej zapalniczki, zapałki itd.
 - ▶ Obróć regulator gazu w prawo (↷).
 - ▶ Odczekaj co najmniej 1 minutę – aby gaz ulotnił się z korpusu grilla. W przeciwnym razie istnieje poważne niebezpieczeństwo wybuchu.
3. **Po** każdej próbie zapłonu sprawdź przez otwór kontrolny płomienia i zapłonu, czy gaz w rurze palnika się pali.
 4. Kiedy pojawią się płomienie, zakręć niezwłocznie regulator gazu w prawo (↷).



Możliwe niebezpieczeństwo oparzeń z powodu gorących powierzchni.

- ▶ Skotti może być jeszcze silnie rozgrzany. Nie dotykaj żadnych części Skotti podczas zapalania.
5. Odczekaj co najmniej 1 minutę przed ponownym zapaleniem.
- ✓ Miłego grillowania.

6.3 Porady dotyczące grillowania

W trybie gazu możesz ustawić Skotti na tobie transportowej. Może się na niej zbierać wyciekający tłuszcz, który następnie można wygodnie zebrać.

Zawsze nieznacznie podgrzewaj Skotti. W przypadku Skotti robi się to bardzo szybko. Już po 2 minutach możesz doskonale grillować.

Skotti nie ma reduktora ciśnienia gazu. Świadomie zrezygnowaliśmy z niego podczas projektowania.

Obszar nad otworem kontrolnym płomienia i zapłonu jest często nieco mniej gorący. Dzięki temu gotowe grillowane potrawy dobrze utrzymują ciepło lub można tam położyć potrawy, które potrzebują mniejszego ciepła.

W zależności od wiatru i warunków atmosferycznych ten obszar może być nieco cieplejszy lub chłodniejszy. Po prostu wypróbuj.

Korzystaj z grilla w temperaturach poniżej 10°C z gazem zimowym lub zasilającym. Może on lepiej wypływać również w niższych temperaturach ze względu na właściwości konstrukcyjne butli jednorazowej i mieszanki gazu.

7 Jeżeli czasem nie wszystko się udaje

Gaz w rurze palnik nie zapala się

- Unikaj bezpośredniego oddziaływania wiatru.
- Używaj sprawnej zapalniczki lub zapałki.
- Sprawdź przez zakręcenie regulatora gazu, czy w butli jednorazowej jest jeszcze gaz.

Ciepło nie jest rozprawdane równomiernie

- Ustaw Skotti w sposób zabezpieczony przed wiatrem.

Skotti wytwarza nietypowe ciepło

- Jeżeli jest zimniej niż 10°C, użyj gazu zimowego lub zasilającego (oferują go poszczególni producenci).

Żółte płomienie wydobywają się spod płyty odbijającej

- Zmniejsz gaz (zakręć regulator gazu nieznacznie w prawo).

Płomienie są strzeliste

- **Nigdy** nie wkładaj folii aluminiowej do Skotti.
- Komora grilla może być zabrudzona. Oczyszć ją.

8 Sposób przechowywania Skotti

Po schłodzeniu Skotti możesz przechowywać wszystkie części ponownie w przystosowanej do mycia torbie tak, aby całość nie zajmowała dużo miejsca.

Aby zdemontować Skotti, wykonaj poniższe czynności:

1. upewnij się, że regulator gazu jest zakręcony w prawo (🔒), a części nie są już gorące.
 2. Odkręć jednorazową butlę gazową od regulatora gazu.
 3. Odkręć koniec dyszy gazu przeciwnie do ruchu wskazówek zegara od okrągłego końca rury palnika (3) Skotti.
 4. Stań przed Skotti tak, aby okrągły koniec rury palnika (3) był skierowany w prawo.
 5. Podnieś palcami wskazującymi obydwie noski na ruszcie grilla (1), znajdujące się w lewych wycięciach.
 6. Przesuń ruszt grilla (1) nieznacznie w lewo i jednocześnie delikatnie go unieś.
➔ Grill jest odblokowany.
 7. Podnieś część górną (7) z okrągłym końcem rury palnika (3) do góry i odczep od płyty odbijającej (2) i rury palnika.
 8. Wyciągnij płytę odbijającą (2) ze szczeliny części dolnej (5).
 9. Nieznacznie podnieś rurę palnika (3) za okrągły koniec i wyciągnij zgnieciony koniec pod kątem ostrym i bez używania siły ze szczeliny części dolnej (5).
 10. Wyciągnij płytę spodnią (8) z części dolnej (5) i części bocznych (6) oraz połóż ją brudną stroną na ruszt grilla (1).
 11. Wyciągnij część spodnią (8) z obydwu długich części bocznych (6) i części dolnej (5).
 12. Wyciągnij obydwie długie części boczne (6) z części dolnej (5).
- ✓ Skotti jest zdemontowany.

Porada

- ▶ Zalecamy odłożenie części do torby Skotti w poniższy sposób: ruszt / część spodnia (jako dach powyżej) / 2 części boczne / część górna i dolna / płyta odbijająca.



9 Sposób pielęgnacji Skotti

Czyszczenie grilla Skotti

Wszystkie części Skotti – oprócz rury palnika i węża gazu z dyszą i regulatorem gazu – można włożyć do zmywarki.

Oczywiście torbę Skotti również.

Dzięki temu czyszczenie sprawia przyjemność i zajmuje niewiele czasu.

- Sprawdź przed czyszczeniem, czy środki czyszczące są przystosowane do powierzchni ze stali szlachetnej. Jeżeli nie, mogą powstać zarysowania.
- W przypadku silnie przypalonych miejsc czyszczenie w zmywarce nie wystarcza. Namocz najpierw te części dokładnie w wodzie do mycia.
- Aby Skotti był ponownie całkiem czysty, zalecamy zmywaki nasączone mydłem z wełny stalowej do powierzchni ze stali szlachetnej lub inne środki do czyszczenia grilli bądź piekarników. Przy niewielkim wysiłku i w niskiej cenie usuwają one również przypalenia – dzięki temu Skotti ma znowu nowy połysk.
- Podczas czyszczenia zaworu lub rury palnika **nie** „rozszerzaj” dysz zaworu ani okrągłego końca rury palnika.
- Czyść rurę palnika tylko wtedy, gdy wąż gazu jest odkręcony, ponieważ w przeciwnym razie dysza gazu może zostać zatkana.
- Jeżeli otwory dyszy rury palnika zostaną z czasem zatkane, przeczyść je delikatnie szczotką miedzianą i wytrząśnij rurę z otworem do dołu.

Konserwacja grilla Skotti

Co 3 miesiące musisz zadbać o Skotti, aby pozostawał w optymalnym stanie:

- Sprawdź rurę palnika od wewnątrz i wyczyść ją w razie zabrudzenia lub zatkania.
- Sprawdź wąż gazu i wymień go w razie uszkodzenia lub nieszczelności.
- Sprawdź uszczelki i wymień je w razie uszkodzenia lub zużycia.

10 Nasza gwarancja dla Skotti

Firma Vennskap udziela dwuletniej gwarancji od daty zakupu na wszystkie części Skotti. Dotyczy to poniższych elementów:

- wąż gazu z dyszą gazu i regulatorem gazu
- rura palnika
- torba Skotti

Ponieważ jesteśmy jednak bardziej niż przekonani co do naszego urządzenia, jeszcze rozszerzamy naszą gwarancję. Udzielamy:

- 5-letniej gwarancji na korpus grilla Skotti z rusztem

Nasza gwarancja obowiązuje tylko wtedy, gdy Skotti będzie montowany, użytkowany i utrzymywany zgodnie z tą instrukcją obsługi, a my po naszej kontroli stwierdzimy, że urządzenie lub poszczególne części są rzeczywiście uszkodzone. Naprawimy lub wymienimy wówczas bezpłatnie całe urządzenie lub uszkodzone pojedyncze części. W razie reklamacji zawsze kontaktuj się z nami.

W przypadku reklamacji musisz udokumentować datę zakupu (czyli: zachowaj paragon!) oraz dodać opis błędu/problemu w formie pisemnej. Na nasze wezwanie przesłania uszkodzonych części ponosisz koszty wysyłki. Odeślemy wówczas naprawione lub wymienione części i pokryjemy te koszty wysyłki.

Więcej informacji znajduje się na naszej stronie internetowej:

www.skotti-grill.eu



11 Utylizacja i recykling

Utylizuj zużyte jednorazowe butle gazowe, ciecze z czyszczenia oraz sam grill Skotti z uwzględnieniem naszego środowiska naturalnego, zgodnie z lokalnymi przepisami o utylizacji oraz przepisami o ochronie środowiska.

Informacje może przekazać dystrybutor gazu oraz lokalne organy gminne.

Innehåll

1	Inledning	2
1.1	Så åskådliggör vi din Skotti för dig.....	2
1.2	Här måste du se upp.....	3
2	Dina Skotti-data	3
3	För din säkerhet – det bör du känna till.....	4
3.1	Du kan använda Skotti för detta.....	4
3.2	Det får du inte göra med Skotti.....	4
3.3	Fara på grund av heta ytor.....	5
3.4	Risker för barn.....	5
3.5	Risker på grund av gas.....	5
3.6	Risk på grund av eld.....	6
4	Allt detta hör till din Skotti.....	7
5	Så monterar du din Skotti	8
5.1	Var ska du montera din Skotti?	8
5.2	Montering av Skotti.....	8
5.3	Lägga på grillen.....	10
5.4	Grilla med grillkol resp. träbitar.....	10
5.5	Anslutning av gas.....	11
5.6	Byte av gaspatron.....	12
6	Så använder du din Skotti	13
6.1	Kontrollera före tändning.....	13
6.2	Tändning.....	14
6.3	Grilltips.....	15
7	När det inte fungerar till 100 %	15
8	Så förvarar du din Skotti.....	16
9	Så underhåller du din Skotti.....	17
10	Vår garanti för din Skotti	18
11	Avfallshantering och återvinning	18

1 Inledning

Dessa bruksanvisningar möjliggör en säker och effektiv hantering av Skotti. Dessutom innehåller den viktiga anvisningar för underhåll av din Skotti.

Viktigt

Läs uppmärksamt dessa bruksanvisningar för att bekanta dig med Skotti innan du ansluter den till gaspatronen eller gasolflaskan. Förvara bruksanvisningarna för att kunna läsa dem igen eller ge dem vidare till en annan användare.

Tillverkare

Vennskap GmbH & Co.KG
In der Loh 36 c
40668 Meerbusch
+49 (0) 2150-7076910
www.skotti-grill.eu



1.1 Så åskådliggör vi din Skotti för dig

När du ska göra något

För att genomföra en åtgärd, gör du på följande sätt:

1. Gör det här.
2. Gör det.
➔ Detta mellanresultat är resultatet av det.
3. Gör det där.
✓ Du har genomfört åtgärden.

Uppräkningar presenteras enligt följande

- Uppräkning 1. Ordning

1.2 Här måste du se upp



FARA

Anger en riskfylld situation, som kan leda till allvarlig kroppsskada eller dödsfall.

- ▶ Åtgärder för undvikande av faran



Tips

- ▶ Användningstips och nyttig information

2 Dina Skotti-data

Apparatbeteckning	Mobil gasolgrill typ Skotti	
Mått	Grill (L x B)	30,4 x 21 cm
	Monterad (L x B x H)	33,6 x 21,9 x 17,6 cm
	Packad väska (L x B x H)	45 x 30 x 3,5 cm
Effekt	2,3 ... 2,5 kW 172 ... 187 g/h	
Vikt utan gaspatron	3 kg	
Tillåten gaspatron	EN 417 skruvpatron med 7/16 x 28 UNEF-gänga (butan / propan gasblandning)	
Material	1 mm rostfritt stål i grillhöljet, 3 mm rostfritt stål i grillgalleret, presenningsväska	

Munstyckets diameter: 0,3 mm

3 För din säkerhet – det bör du känna till

3.1 Du kan använda Skotti för detta

- Använd bara Skotti för privat grillning.
- Använd Skotti endast utomhus.
- Använd Skotti endast som gasgrill med en kommersiellt tillgänglig propan / butan-gasblandning enligt EN 417.
Den återförslutbara gaspatronen ska ha en passande gänga för din gasregulator (7/16 x 28 UNEF-gänga).
- Använd bara godkända skruvpatroner på max. 500 g.
- Anslutning av andra gasbehållare resp. gasblandningar kan vara mycket farligt.
- Använd Skotti med grillkol eller trä som drivmedel.

3.2 Det får du inte göra med Skotti

- Använd **inte** Skotti för kommersiell grillning.
- Använd **aldrig** Skotti med jordgas.
- Under tiden du använder Skotti, får gasregulatorn (🔴) eller andra delar **inte** lossas eller demonteras.
- Skjut eller montera **aldrig** Skotti in i en konstruktion.
Obehindrad luftventilation ska alltid ombesörjas.
Annars kan brand eller explosion förorsakas, vilken kan leda till allvarlig skada eller till och med dödsfall samt stora materiella skador.
- Gör **aldrig** modifikationer eller reparationer på Skotti.
Detta kan leda till fara och upphäva garantin.
Låt alltid experter reparera Skotti; du hittar vår adress i kapitel "1 Inledning".

3.3 Fara på grund av heta ytor

- Vidrör Skotti varken under användning eller direkt efter grillning. Skotti och alla enskilda delar kan vara mycket heta.
- Skotti ska även efter grillning övervakas – tills grillen är avkyld. På sommaren tar det ca. 20 minuter. Annars kan olyckor, brännskador eller brand förorsakas.

3.4 Risker för barn

- Skotti får **inte** användas av barn.
- Håll barn på avstånd från Skotti, även under kylning efter grillning.

3.5 Risker på grund av gas

- Beakta anvisningarna på gaspatronen.
- Förvara **aldrig** gaspatroner i närheten av Skotti.
- Transportera och förvara gaspatroner alltid försiktigt. Även skenbart tomma gaspatroner kan fortfarande innehålla gas.
- Använd **aldrig** Skotti, om gastillförsel eller tätningar är defekta eller felaktiga.
- Sök bara efter gasläckage med en tvålvatten-lösning, t.ex. i en sprayflaska. Spraya in berörda delar med flaskan och öppna gasregulatorn. På otäta ställen framträder små bubblor. Använd **aldrig** en låga, för att leta efter gasläckage. Det kan leda till en gaseldslåga eller -explosion.
- Skada **aldrig** gaspatronen. Det kan leda till en explosion.
- Låt din gasleverantör kontrollera buckliga eller rostiga gaspatroner före användning.
- Vid låga temperaturer kan flytande gas inte längre omvandlas så bra. Det innebär: Den förbränns sämre. På vintern rekommenderar vi dig därför, att använda en speciell vintergas eller Powergas.



Möjlig risk för explosion, brand och dödlig skada på grund av gas.

- ▶ Så fort det luktar gas:
Vrid omedelbart gasreglaget till höger (↻).
Lossa slangen från gaspatronen.
Släck omedelbart öppen låga, cigaretter etc.
- ▶ Om du fortfarande märker gaslukt:
Håll avstånd till Skotti och gaspatronen.
Informera gasleverantören och / eller brandkåren.

3.6 Risk på grund av eld

- Använd **aldrig** Skotti utan uppsikt.
- Använd **aldrig** Skotti på ett antändbart underlag såsom en duk.
- Håll säkerhetsavstånd vid grillning till möjliga riskområden som lätt antändbara material: I princip min. 10 meter.
- Lägg aldrig antändbara delar på Skotti, när den används eller fortfarande är het.



Möjlig livsfara på grund av fettantändning.

- ▶ Om det inträffar en fettantändning:
Bevara ditt lugn.
Stäng om möjligt av gastillförseln (↻).
- ▶ Använd en speciell brandsläckare, sand, natron eller bakpulver för att släcka.
- ▶ Försök **aldrig** släcka brinnande fett med vatten eller mjöl.
Sannolikheten för en okontrollerbar eldslåga eller explosion är extremt hög.
- ▶ Försätt dig och andra i säkerhet.
- ▶ Ring brandkåren med det EU-omfattande numret 112 från det fasta nätet såväl som mobilnätet.
Säkra området tills brandkåren anländer, utan att försätta dig eller andra i fara.

4 Allt detta hör till din Skotti



Bild 1 Allt detta hör till din Skotti

Pos.	Beteckning
1	1 x grill
2	1 x värmeavledningsplåt
3	1 x brännarrör
4	1 x gasslang med skruvregulator
5	1 x fotdel med vaxkakeformat antändnings- och flamskyddshål
6	2 x långa sidodelar med logotyp och fotstöd
7	1 x huvuddel med runt hål
8	1 x bottendel

5 Så monterar du din Skotti

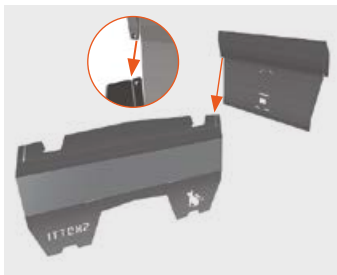
5.1 Var ska du montera din Skotti?

Beakta följande punkter vid val av grillplats:

- Skotti och alla enskilda delar kan vara mycket heta, så att du inte kan flytta den. Överlägg före antändning, om grillplatsen motsvarar säkerhetskraven.
- Ställ Skotti på ett slätt och stabilt underlag samt beakta, att Skotti ska ha min. 5 cm fritt utrymme till underlaget. Annars kan inte utströmmande gas, som ej antänts, strömma nedåt. Därigenom blir det risk för en explosion.
- Om Skotti sjunker in i sand, is eller sluttande underlag alternativt står snett, använd kanterna på stativets nedre del för att rikta in grillen i ett stabilt och rakt läge med en träbit eller sten.
- Beakta alltid monteringsanvisningarna: Vid felaktig montering av Skotti uppstår oförutsägbar fara för dig jämte utomstående.

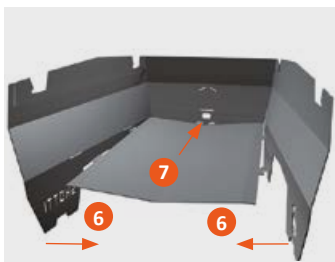
5.2 Montering av Skotti

För att montera Skotti-grillen, gå tillväga på följande sätt:

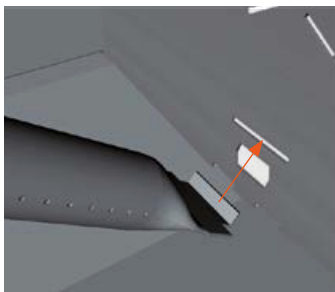


1. Fäst den långa sidodelen (6) på sidan med Skotti-logotypen och den korta fotdelen (5) med det vaxkakeformade hålet i varandra i anslutningsfogen. Båda delarna är märkta med en liten trekant vid anslutningsfogen.
2. Fäst fotdelen (5) och den andra långa sidodelen (6) i varandra i den smala anslutningsfogen på sidan med Skotti-bokstäverna.
3. Lägg bottendelen (8) med valvet neråt mellan de tre monterade delarna. Den släta kanten ska vara framtill, krokarna och näsorna i höjd med slitsarna.
4. Sätt först in krokarna i sidopanelernas slitsar (6).
5. För in näsorna i slitsarna i fotdelen (5).





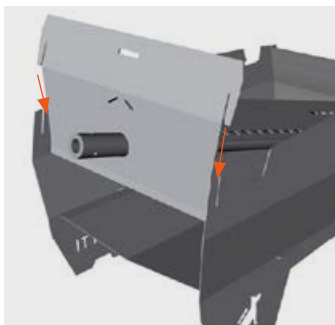
6. För ner den nedre delen (8) så nära fotdelen (5), att krokarna får grepp på sidan och de två främre näsorna på bottendelen glider in i de matchande slitsarna i fotdelen.
7. För brännarröret (3) med den klämda sidan i en brant vinkel och med näsan uppåt i det cirka 3 cm långa spåret ovanför det vaxkaksformade hålet.



8. Lägg ner brännarröret (3) på bottendelen (8) utan bruk av våld.
9. Lägg värmeavledningsplåten (2) som ett tak över brännarröret (3).
10. För in flikarna på den perforerade sidan i de två sneda slitsarna på fotdelen (5).



11. Lägg värmeavledningsplåten (2) på bottendelen (8).
12. Ta den lösa huvuddelen (7) med runt lock och sätt fast den på den runda ändan av brännarröret (3). Den välvda sidan ska peka inåt.
13. Lyft huvuddelen (7) uppåt och sätt in de båda näsorna på värmeavledningsplåten (2) i de två lutande slitsarna i huvuddelen.



14. Placera huvuddelens (7) anslutningsfogar direkt ovanför dess sidodelar (6) och tryck huvuddelen neråt.
- ✓ En grillkorg med enhetliga sidor framträder.



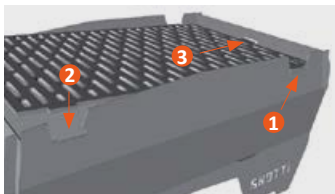
Tips

- ▶ På www.skotti-grill.eu hittar du en passande video.



5.3 Lägga på grillen

För att lägga på grillen, gör du på följande sätt:



1. Ställ Skotti framför dig så, att brännarrörets (3) runda ände pekar mot höger.
 2. Ta grillen (1) med din hand, så att Skotti-logotypen hamnar under till höger.
 3. Lägg grillen (1) först på höger sida i de för ändamålet avsedda urtagen.
 4. Låt grillen (1) glida mot vänster i urtagen.
 5. För grillen (1) med näsorna in i urtagen försiktigt mot höger.
- ✓ Efter ett hörbart klick är grillen låst och stabil.

5.4 Grilla med grillkol resp. träbitar



Möjlig brandfara på grund av felaktig användning.

- ▶ Använd **aldrig** brännarröret för att tända träkol eller träbitar.
- ▶ Ställ **aldrig** Skotti på transportväskan, om du grillar med träkol eller trä – det bildas högre temperaturer än vid grillning med gas.

För att använda Skotti med grillkol eller trä, gå tillväga på följande sätt:

1. Ta bort brännarröret (3) tillsammans med värmeavledningsplåten (2), innan du grillar med träkol eller träbitar.
 2. Använd grillgallret (1) bara för grillning med liten låga på Skotti.
- ✓ Nu kan du använda Skotti med grillkol eller trä.



Tips

- ▶ Även när det är möjligt – för skydd av miljön rekommenderar vi dig Använd företrädesvis din Skotti uteslutande med gas.

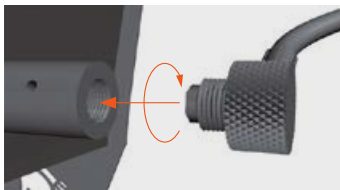
5.5 Anslutning av gas



Möjlig livsfara på grund av felaktig användning av gaspatroner.

- ▶ Använd Skotti som gasolgrill endast med en kommersiellt tillgänglig propan / butan-gasblandning enligt EN 417 med en maximal fyllnadsvikt på 500 gram.
- ▶ Den återförslutbara gaspatronen ska ha en passande gänga för din gasregulator (7/16 x 28 UNEF-gänga).
- ▶ Övertyga dig före anslutning, att tätningarna mellan Skotti och gaspatronen är på plats och i perfekt skick. Använd **aldrig** Skotti med defekta eller utslitna tätningar.
- ▶ Stäng gaspatronerna endast utomhus och på säkert avstånd från antändningskällor.
- ▶ Undvik vridbelastningar på gasslangen.

För att ansluta gas, gör du på följande sätt:



1. Vrid änden med gasmunstycket medurs och med handkraft på Skottis runda brännarrörände. Änden ska sitta fast, utan att använda mycket kraft.



2. Anslut gaskranen med en handfast vridning mot höger (↻), innan du ansluter gaspatronen.

3. Vrid gaspatronen på gasregulatorn och **inte** omvänt.

✓ Gasen är ansluten.

5.6 Byte av gaspatron



Möjlig livsfara på grund av felaktig användning av gaspatroner.

- ▶ Kontrollera **före** lossning av gaspatron, att brännaren är släckt.
- ▶ Kontrollera **före** byte av gaspatron, att den är tömd, skaka t.ex. så att du kan höra vätskan skvalpa.
- ▶ Byt gaspatron utomhus och på säkert avstånd från antändningskällor och utomstående personer.
- ▶ Undvik en vridbelastning på gasslangen.

För att byta gaspatron, gör du på följande sätt:



1. Anslut gaskranen med en handfast vridning till höger (↻), innan du lossar gaspatronen.
 2. Vrid gaspatronen från gasregulatorn och **inte** omvänt.
- ➔ Gaspatronen är borttagen.



3. Övertyga dig före anslutning, att tätningarna mellan Skotti och gaspatronen är på plats och i perfekt skick.
Använd **aldrig** Skotti med defekta eller utslitna tätningar.
 4. Vrid den nya gaspatronen på gasregulatorn och **inte** omvänt.
- ✓ Gaspatronen är utbytt.

6 Så använder du din Skotti

6.1 Kontrollera före tändning

För att genomföra säkerhetskontroller före varje tändning, gör du på följande sätt:

1. Kontrollera, att brännarröret **inte** är tilltäppt.
Lösgör ev. stopp, innan du använder Skotti.
 2. Kontrollera, att gastätningarna och gasslangen är OK.
 3. Tänd **inte** Skotti under en täthetsprovning.
 4. För täthetsprovning passar en tvål-vatten-lösning i en sprayflaska.
 5. Spraya in gasslangen med den och anslutningarna mellan Skotti och gaspatronen.
 6. Öppna gasregulatorn.
➔ Om det finns otäta ställen, uppstår mindre blåsor.
 7. Om det finns otäta ställen, vrid gasregulatorn till höger (🔴) och skruva av gaspatronen.
Använd **inte** Skotti i så fall.
 8. Säkerställ före tändning, att alla delar är monterade enligt föreskrifter.
 9. Frigör Skotti från fettansamlingar före tändning. Sådana kanske finns kvar från föregående grillning. Fettantändning är farlig och ska undvikas.
- ✓ När allt fungerar perfekt, kan du tända Skotti.

6.2 Tändning



Livsfara på grund av felaktig användning och oaktsamhet.

- ▶ Skotti bör vid användning **inte** utsättas för starka vindar. Antändnings- och flamskyddskontrollhålet ska alltid vara vända från vindriktningen.
- ▶ Akta dig själv och dina kläder vid tändning. Under föruppvärmning eller vid kraftig skakning av Skotti och / eller gaspatronen kan flytande gas sippra ut och orsaka eldslågor. Till exempel kan långt, omkringflygande hår eller vida kläder snabbt antändas.

För att tända Skotti, gör du på följande sätt:

1. Vrid gasregulatorn lätt mot vänster vid gaspatronen (↶), tills du hör att gas strömmar ut.
2. Tänd gasen i brännarröret efter ca. 1 - 2 sekunder med en tändare eller tändsticka genom det vaxkakeformade tändnings- och flamskyddshålet på fotdelen.



Möjlig risk för explosion, brand och dödlig skada på grund av gas.

- ▶ Om du inte kan tända gasen i brännarröret inom 4 sekunder, avbryt tändningen, t.ex. på grund av vind, en felaktig tändare, tändsticka etc.
 - ▶ Vrid omedelbart gasreglaget mot höger (↷).
 - ▶ Vänta minst 1 minut – så att gasen kan tömmas ut ur grillkroppen. Annars föreligger akut explosionsrisk.
3. Kontrollera genom antändnings- och flamskyddshålet **efter** varje tändningsförsök, om gasen i brännarröret är släckt.
 4. När flammorna slocknat, vrid omedelbart gasreglaget mot höger (↷).



Risk för brännskada på grund av heta ytor möjlig.

- ▶ Skotti-grillen är sannolikt extra starkt upphettad. Vidrör inga delar på Skotti vid tändning.
5. Vänta minst 1 minut, innan du tänder igen.
- ✓ Ha det kul, när du grillar!

6.3 Grilltips

Du kan använda gasdriven Skotti på transportväskan.

Denna kan samla upp nerdroppande fett och därefter bekvämt torkas av.

Värm alltid upp Skotti lite i förväg. Med Skotti går det snabbt. Redan efter 2 minuter kan du få perfekta grillresultat.

Skotti har ingen gastrycksreduktion. Vi har vid utvecklingen medvetet avstått från denna.

Området ovanför antändnings- och flamskyddshålet är ofta något svalare. På detta sätt kan du hålla färdiggrillad mat varm eller placera grillad mat som kräver mindre värme där.

Beroende på vind- och väderförhållanden kan detta område vara något varmare eller kallare. Prova dig fram helt enkelt.

Vid temperatur under 10 °C ska vintergas eller Powergas användas. Den kan flöda ut bättre även vid lägre temperaturer på grund av de strukturella egenskaperna i patronen och gasblandningen.

7 När det inte fungerar till 100 %

Gas i brännarröret låter sig inte antändas

- Undvik direkt vindpåverkan.
- Använd en funktionsduglig tändare eller tändsticka.
- Kontrollera gasregulatorerna efter åtdragning, om det fortfarande finns gas i patronen.

Värmefördelningen är ojämn

- Ställ upp Skotti i lä.

Skotti utvecklar inte den vanliga värmen

- När det är kallare än 10 °C, ska vintergas eller Powergas användas (dessa erbjuds av enskilda tillverkare).

Gula lågor skjuter fram under värmeavledningsplåten

- Reducera gasen (vrid gasregulatorn något mot höger).

Eldslågor förekommer

- Lägg **aldrig** aluminiumfolie i Skotti.
- Möjligtvis är grillkammaren förorenad. Rengör dem.

8 Så förvarar du din Skotti

Så fort som Skotti är avkyld, kan du åter enkelt förvara alla delar platsbesparande i den tvättbara väskan.

För att demontera Skotti, gör du på följande sätt:

1. Säkerställ, att gasregulatorn är åtdragen mot höger (🔴) och att delarna inte längre är heta.
 2. Vrid av gaspatronen från gasregulatorn.
 3. Vrid änden med gasmunstycket moturs från den runda änden på brännarröret (3) ur Skotti.
 4. Ställ dig framför Skotti så, att brännarrörets (3) runda ände pekar mot höger.
 5. Lyft med dina pekfingrar de båda näsorna mot grillen (1), vilka ligger i de vänstra urtagen.
 6. Dra grillen (1) något mot vänster och lyft den en bit samtidigt.
➔ Grillen är lossad.
 7. Lyft huvuddelen (7) med brännarrörets (3) runda ände uppåt och lossa den från värmeavledningsplåten (2) och brännarröret.
 8. Dra värmeavledningsplåten (2) ur fotdelens slitsar (5).
 9. Lyft brännarröret (3) något i den runda änden och den klämda änden i brant vinkel och utan kraftanvändning ut ur slitsen på fotdelen (5).
 10. Dra bottenplåten (8) ut ur fotdelen (5) och sidodelarna (6) samt lägg den med den smutsiga sidan på grillen (1).
 11. Dra bottendelen (8) ut ur de båda långa sidodelarna (6) och fotdelen (5).
 12. Dra de båda långa sidodelarna (6) ut ur fotdelen (5).
- ✓ Skotti-grillen är demonterad.



Tips

- ▶ Vi rekommenderar dig, att lägga tillbaka delarna på följande sätt i Skotti-väskan:
Galler / bottendel (som tak däröver) / 2 sidodelar / huvud- och fotdel / värmeavledningsplåt.

9 Så underhåller du din Skotti

Rengöring av din Skotti

Du kan ställa alla delar från Skotti – förutom brännarrör och gas slang med munstycke och gasregulator – i diskmaskinen.

Givetvis också väskan från Skotti.

Det gör rengöringen rolig och kostar bara lite tid.

- Kontrollera före rengöring, om rengöringsmedlet är lämpligt för en rostfri yta. Annars kan repor bildas.
- För starkt inbränt fett räcker inte en rengöring i diskmaskinen. Mjuka först upp dessa delar grundligt i diskvatten.
- För att Skotti åter ska bli riktigt ren, rekommenderar vi dig tvålpads av stålull för rostfria ytor eller andra grill- resp. ugnsgörare. Dessa löser också inbränt fett med liten ansträngning och till en låg kostnad – och Skotti strålar åter i ny glans.
- "Bredda" vid rengöring av ventil eller brännarrör **inte** ventilmunstycken eller den runda änden av brännarröret.
- Rengör bara brännarröret, när gas slangen är avmonterad, annars kan gasmunstycket täppas till.
- När munstyckshålen på brännarröret med tiden blir slitna, borsta av dem mjukt med en kopparborste och skaka ur röret med öppningen nedåt.

Underhåll av din Skotti

Var 3:e månad bör du ta hand om din Skotti, så att den förblir i optimalt skick:

- Kontrollera brännarröret inuti och rengör det vid förorening och tilltäppning.
- Kontrollera gas slangen och byt ut den vid skada eller slitage.
- Kontrollera tätningar och byt ut dem vid skada eller slitage.

10 Vår garanti för din Skotti

Hos Vennskap ger vi dig för din Skotti fr.o.m. köpdatum två års garanti för alla delar. Den gäller för:

- Gaslang med gasmunstycke och gasregulator
- Brännarrör
- Skotti-väska

Eftersom vi är mer än övertygade om vår utrustning, utökar vi till och med vår garanti. Vi ger dig:

- 5 års garanti för Skotti-grillkropp med grillgaller

Vår garanti gäller bara, när Skotti monterats, används och underhålls enligt dessa bruksanvisningar och vi har fastställt enligt vår kontroll, att apparaten eller enskilda delar verkligen är felaktiga. Vi reparerar eller ersätter då hela utrustningen gratis alternativt felaktiga enskilda delar. Ta i reklamationsfall alltid direktkontakt med oss.

För en reklamation ska du intyga inköpsdatum (alltså: Spara kvittot!) och en beskrivning av fel / problem i skriftlig form. När vi begär, att du skickar de felaktiga delarna, betalar du försändelsekostnaderna. Vi skickar då reparerade eller ersatta delar tillbaka och betalar försändelsekostnaderna.

Ytterligare information hittar du på vår hemsida:

www.skotti-grill.eu



11 Avfallshantering och återvinning

Avyttra förbrukade gaspatroner, vätskor som genererats under rengöringen och Skotti själv med miljöhänsyn motsvarande lokala föreskrifter och miljölagar om avfallshantering.

Hänvisningar om detta kan du få av din gasförsäljare och lokala kommunala myndigheter.